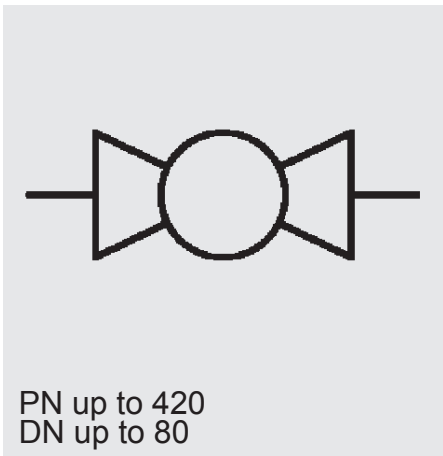


DN 16 - 32



DN 40 - 65



PN up to 420
DN up to 80

Direct Flange Ball Valve KHDF3 / KHDF6

Model code

(also order example)

KHDF3 16 1114 18X A X

Designation

KHDF3 = Direct flange ball valve 3000 PSI

KHDF6 = Direct flange ball valve 6000 PSI

Nominal bore

Materials

Housing, connection adapters

1 = Steel (standard)

3 = Stainless steel

Ball, control spindle

1 = Steel (standard)

3 = Stainless steel

Ball seal

1 = POM

Control spindle seal

2 = NBR (Perbunan)

4 = FKM (Viton) (standard)

Handle

18 = Stainless steel bolt-on handle, cranked DN16-32

16 = Steel bolt-on handle, cranked DN40-80

Surface protection

A = Zinc-plated, chrome (VI)-free (standard)

Option

SO 760 = Can be locked in open and closed position using padlock.
Padlock not supplied

I-1.300 = Adapted for proximity switch M12,
Monitoring of ball valve in either open, closed or both positions

I-1.200 = With standard proximity switch M12,
Monitoring of ball valve in open position

I-3.200 = With 2 standard proximity switches M12,
Monitoring of ball valve in open and closed positions

Note

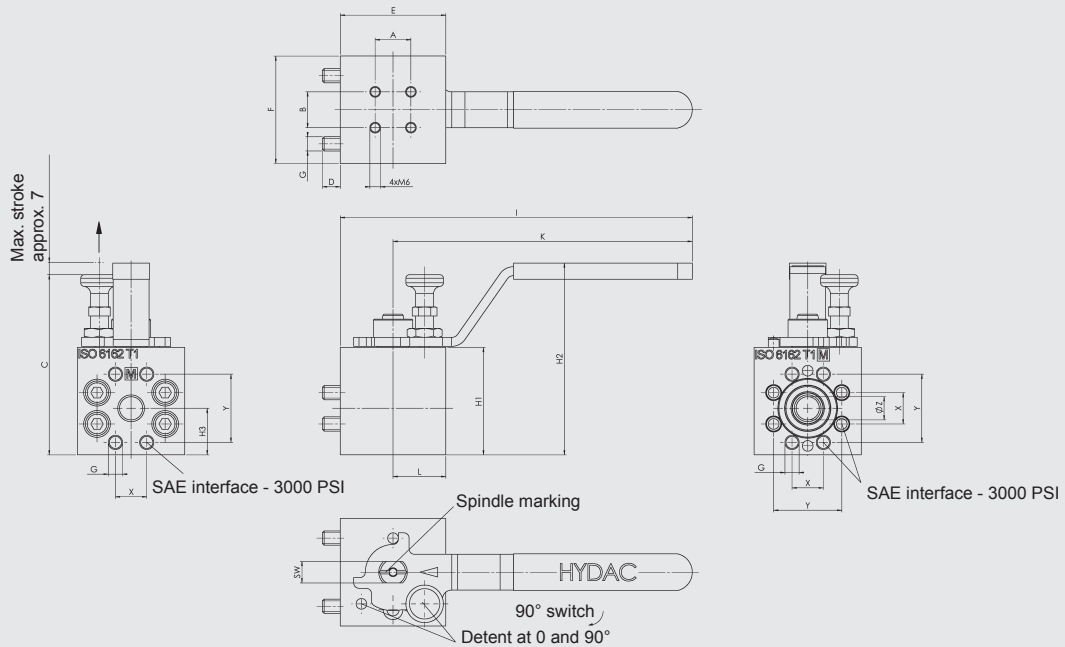
For DN40-50-65 the ball is trunnion mounted (double bearing, easy operation)

Detent on open and closed positions as standard

4 mounting bolts are supplied

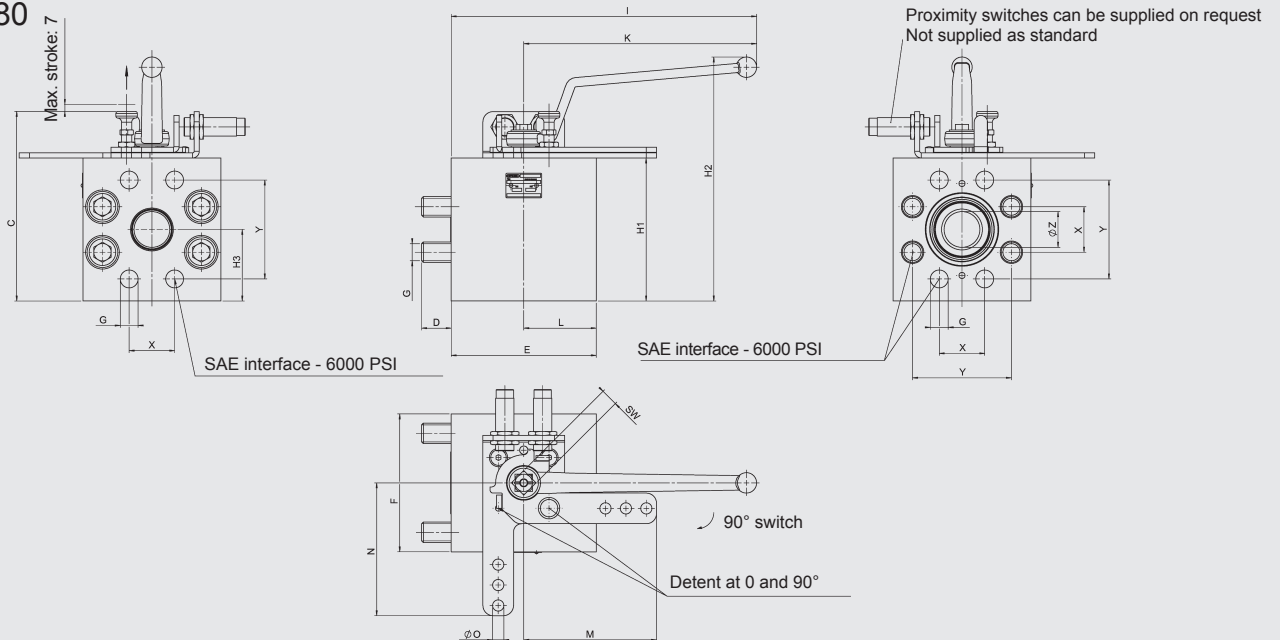
Dimensions

DN16 - 32



| Type | A | B | C | D | E | F | G | H1 | H2 | H3 | I | K | L | X | Y | SW | Z | PN | |
|----------|----|----|-------|------|----|-----|-----|-----|-------|------|-----|-----|------|------|------|----|----|-----|------|
| | | | | | | | | | | | | | | | | | | bar | PSI |
| KHDF3-16 | 20 | 20 | 100.6 | 10 | 59 | 60 | M8 | 60 | 107.1 | 26 | 197 | 167 | 29.5 | 17.5 | 38.1 | 12 | 13 | 350 | 5000 |
| KHDF3-20 | 20 | 20 | 111 | 12.6 | 68 | 70 | M10 | 70 | 118 | 32.5 | 206 | 170 | 32 | 22.3 | 47.6 | 14 | 19 | 350 | 5000 |
| KHDF3-25 | 25 | 25 | 116 | 11.6 | 69 | 75 | M10 | 75 | 123 | 37.5 | 206 | 170 | 33 | 26.2 | 52.4 | 14 | 20 | 350 | 5000 |
| KHDF3-32 | 25 | 25 | 126 | 12 | 81 | 85 | M10 | 85 | 133 | 42.5 | 209 | 170 | 42 | 30.2 | 58.7 | 14 | 25 | 250 | 3600 |
| KHDF6-16 | 20 | 20 | 105.6 | 13.5 | 65 | 60 | M8 | 65 | 112.1 | 31 | 200 | 167 | 32.5 | 18.2 | 40.5 | 12 | 13 | 400 | 5800 |
| KHDF6-20 | 20 | 20 | 116 | 15 | 71 | 75 | M10 | 75 | 123 | 37.5 | 206 | 170 | 35 | 23.8 | 50.8 | 14 | 19 | 400 | 5800 |
| KHDF6-25 | 25 | 25 | 126 | 18 | 81 | 85 | M12 | 85 | 133 | 42.5 | 209 | 170 | 42 | 27.8 | 57.2 | 14 | 25 | 400 | 5800 |
| KHDF6-32 | 25 | 25 | 141 | 20 | 81 | 100 | M12 | 100 | 147.5 | 49.5 | 209 | 170 | 42 | 31.8 | 66.6 | 14 | 25 | 400 | 5800 |
| KHDF6-32 | 25 | 25 | 141 | 19 | 81 | 100 | M14 | 100 | 147.5 | 49.5 | 209 | 170 | 42 | 31.8 | 66.6 | 14 | 25 | 400 | 5800 |

DN40 - 80



| Type | C | D | E | F | G | H1 | H2 | H3 | I | K | L | X | Y | SW | Z | PN | | Proximity switch |
|----------|-------|------|-----|-----|-----|-----|-------|------|-----|-----|----|------|-------|----|----|-----|------|------------------|
| | | | | | | | | | | | | | | | | bar | PSI | |
| KHDF3-40 | 165.5 | 19 | 84 | 94 | M12 | 120 | 190.7 | 60 | 208 | 169 | 45 | 35.7 | 69.9 | 14 | 27 | 210 | 3000 | M12 |
| KHDF3-50 | 185.4 | 19 | 94 | 102 | M12 | 140 | 238.7 | 70 | 275 | 228 | 47 | 42.9 | 77.8 | 17 | 35 | 210 | 3000 | M12 |
| KHDF3-65 | 200.4 | 19 | 114 | 120 | M12 | 155 | 253.7 | 77.5 | 286 | 228 | 56 | 50.8 | 88.9 | 17 | 45 | 160 | 2300 | M12 |
| KHDF3-80 | 217.0 | 25.5 | 162 | 158 | M16 | 171 | 258.0 | 85.5 | 381 | 300 | 81 | 61.9 | 106.4 | 22 | 55 | 100 | 1400 | M18 |
| KHDF6-40 | 165.4 | 27 | 120 | 115 | M16 | 120 | 190.7 | 60 | 229 | 169 | 60 | 36.5 | 79.3 | 14 | 27 | 420 | 6000 | M12 |
| KHDF6-50 | 185.5 | 29 | 142 | 135 | M20 | 140 | 238.8 | 70 | 299 | 228 | 71 | 44.5 | 96.8 | 17 | 35 | 420 | 6000 | M12 |

Technical specifications

| | |
|--------------------------------|---|
| Types of connection | SAE fixed flanges to ISO 6162, Table 1 and 2 (SAE J 518c) |
| Mounting position | Optional |
| Ambient temperature | -10 °C to +80 °C |
| Nominal pressure | 210 bar or 420 bar |
| Operating fluids | Mineral oil to DIN 51524 part 1 and part 2 (other fluids on request) |
| Temperature of operating fluid | -10 °C to +80 °C |
| Spare Parts | Seal kits available on request |

NOTE

The information in this brochure relates to the operating conditions and applications described.

For applications and operating conditions not described, please contact the relevant technical department.

Subject to technical modifications.

HYDAC Accessories GmbH
Hirschbachstr. 2
66280 Sulzbach/Saar
Tel.: +49 (0)6897 - 509-01
Fax: +49 (0)6897 - 509-1009
Internet: www.hydac.com
E-Mail: info@hydac.com

