

Filters



FLN Series

Service and Parts

(Option - in accordance with DIN 24550)

up to 105 gpm (400 l/min), up to 360 psi (25 bar)

1. Maintenance

1.1 General

Please follow the maintenance instructions.

1.2 Installation

Before installing the filter into the system, check that the operating pressure of the system does not exceed the permitted operating pressure of the filter.

Refer to the type code label on the filter.

Under extreme conditions (e.g. cold start), bypass valves will allow a partial flow past the element for a short time.

1.3 Commissioning

Check that the correct filter element is installed. Screw in bowl again fully (*metal to metal contact*) and then unscrew by one quarter-turn (*the sealing effect will not be improved by overtightening*).

Switch on the hydraulic system and check filter for leakage.

Vent filter at an appropriate point in the system.

1.4 Maintenance Tools

Size	Wrench for filter bowl	Allen key for oil drain plug	Wrench for VD 0 A.1
160-400	Hex 32	Hex 8	Hex 27

1.5 Torque Values

Type	Torque Nm [ft-lb]
VM clogging indicator	33 [24] Standard
VD clogging indicator	33 [24] (LE, LZ)
Oil Drain Plug	G3/8 - 39 [29]
Bowl/ Lid or end cover	Do not Torque (See 1.3 and 2.2)

2. Element Replacement

2.1 Element Removal

1. Switch off hydraulic system and release filter pressure.
2. Remove oil drain plug. Drain oil into container.
3. Unscrew filter bowl (*drain fluid into a suitable container and clean or dispose of it in accordance with environmental regulations*).
4. Remove filter element from element nozzle in filter head (*check surface of element for contamination residue and larger particles; these can indicate damage to components*).
5. Replace or clean filter element - only W/HC (*wire screen*) and V (*metal fiber*) elements can be cleaned.
6. Clean filter bowl and filter head; particular attention must be given to the threads.
7. Examine filter, especially sealing surfaces, for mechanical damage.
8. Check O-rings – and replace if necessary

2.2 Element Installation

1. Wet the sealing surfaces and thread on the filter head and bowl, as well as the O-ring on the bowl and element, with clean operating fluid.
2. When installing a new filter element, check that the designation corresponds to that of the old element.
3. Place filter element carefully on to the element nozzle.
4. Apply silver grade anti-seize (*per Mil-PRF-907E*) to threads. Screw in filter bowl fully (*metal to metal contact*) and then unscrew by one quarter-turn.
5. Apply silver grade anti-seize (*per Mil-PRF-907E*) to threads. Screw in oil drain plug.
6. Switch on hydraulic system and vent filter at a suitable point in the system.
7. Check filter for leakage.

NOTE:

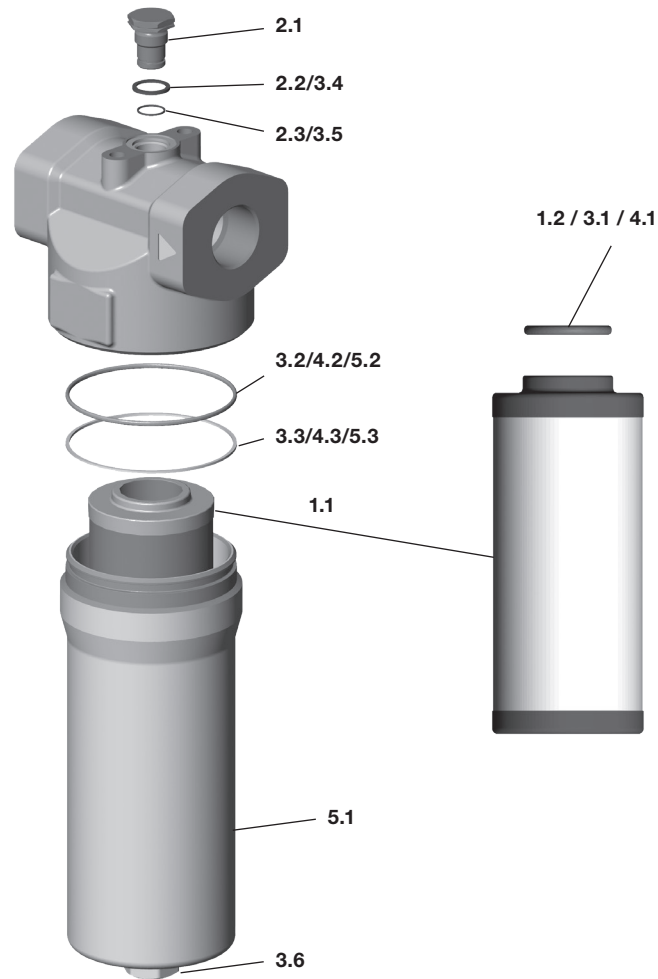
Contamination or incomplete pressure release on disassembly can lead to seizing of the bowl thread.

Filter elements which cannot be cleaned must be disposed of in accordance with environmental protection regulations.

FILTER MAINTENANCE

3. Spare Parts

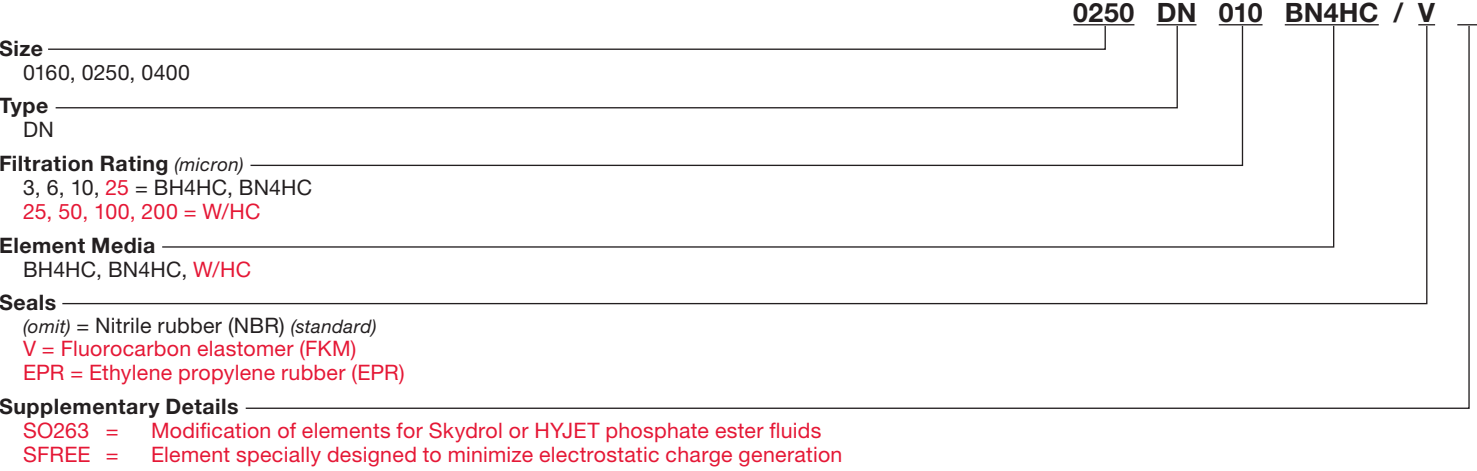
3.1 FLN



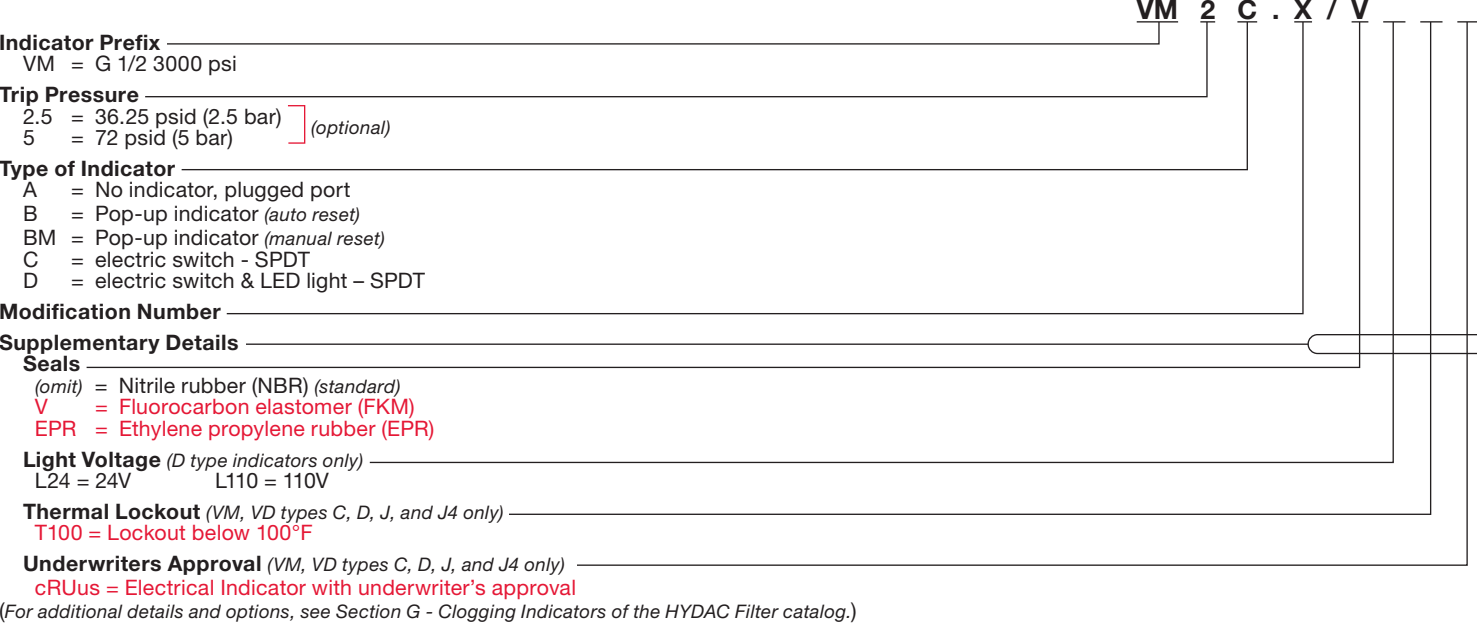
Item	Consists	Designation	160	250	400
1		Filter element	See Point 4. Replacement elements		
	1.1	Filter element	0160 DN...	0250 DN...	0400 DN...
	1.2	O-ring	40.87 x 3.53		
2		Clogging indicator or indicator plug	See Point 5. Replacement clogging indicator		
	2.1	Indicator plug VD 0 A.1 VD 0 A.1 /-V	305932 305931		
	2.2	Profile seal ring	VM... (VD...)		
	2.3	O-ring	15 x 1.5		
3		Repair kit FLN Repair kit FLN /-V	1271216 1292078		
	3.1	O-ring (element)	40.87 x 3.53		
	3.2	O-ring (bowl)	102 x 3		
	3.3	Back-up ring (bowl)	FLN		
	3.4	Profile seal ring (indicator)	VM... (VD...)		
	3.5	O-ring (indicator)	15 x 1.5		
	3.6	Oil drain plug	G 3/8		
4		Seal kit FLN Seal kit FLN /-V	1276723 1279085		
	4.1	O-ring (element)	40.87 x 3.53		
	4.2	O-ring (bowl)	102 x 3		
	4.3	Back-up ring (bowl)	FLN		
5.		Bowl Assembly	1271028; 2211728 w/ QPD design	1271030; 2211729 w/ QPD design	1270601; 2211730 w/ QPD design
		Bowl Assembly /-V	1274800; 2211728 w/ QPD design	1274801; 2211729 w/ QPD design	1274950; 2211730 w/ QPD design
	5.1	Bowl	BOWL FLND160	BOWL FLND250	BOWL FLND400
	5.2	O-ring (bowl)	102 x 3	102 x 3	102 x 3
	5.3	Back-up ring (bowl)	FLND....160	FLND....160	FLND....160

*If present - O-Ring durometer can range from 70-80Sh. EPR Seal Kits available on request.
- Bowl assembly kits on request – kits include complete bowl with seals and plug.

4. Replacement Element Model Code



5. Clogging Indicator Model Code



Model Codes Containing RED are non-stock items — Minimum quantities may apply — Contact HYDAC for information and availability

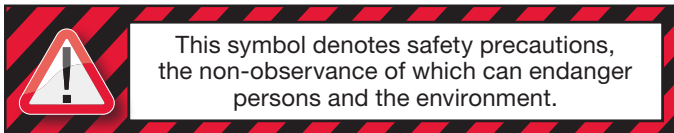
FILTER MAINTENANCE

6. Maintenance Instructions

6.1 User Instructions for Filters



- This pressure equipment must only be put into operation in conjunction with a machine or system.
- The pressure equipment must only be used as stipulated in the operating instructions of the machine or system.
- This pressure equipment must only be operated using hydraulic or lubricating fluid.
- It is the responsibility of the operator to comply with the water regulations of the country concerned.



CAUTION

- The user must take appropriate action (e.g. venting) to prevent the formation of air pockets.
- Repairs, maintenance work and commissioning must only be carried out by trained personnel.
- Allow the pressure equipment to cool before handling.
- The stipulations of the operating instructions of the machine or the system must be followed.
- Statutory accident prevention regulations, safety regulations and safety data sheets for fluids must be observed.
- Filter housing must be grounded.
- When working on, or in the vicinity of, hydraulic systems, open flames, sparks and smoking are forbidden.
- Hydraulic oils and water-polluting fluids must not be allowed to enter the soil or watercourses or sewer systems. Please ensure safe and environmentally friendly disposal of hydraulic oils. The relevant regulations in the country concerned with regard to ground water pollution, used oil and waste must be complied with.
- Whenever work is carried out on the filter, be prepared for hot oil to escape which can cause injury or scalding as a result of its high pressure or temperature.

DANGER!

- Comply with all regulations with regard to the disposal of used oil and waste.
- Wear proper protective clothing and guards to avoid injury or scalding due to high pressure or high temperature oil.
- Filter housing must be grounded.
- Disconnect all electrical power to the system and other electrical components, prior to working on filter clogging indicators.
- When using electrical clogging indicators, the electrical power supply to the system must be switched off before removing the clogging indicator connector.

6.2 Maintenance, General

This section describes maintenance work which must be carried out periodically. The operational safety and life expectancy of the filter, and whether it is ready for use, depend to a large extent on regular and careful maintenance.

6.3 Maintenance Measures

- Spare parts must fulfil the technical requirements specified by the manufacturer.
This is always ensured when using original HYDAC spare parts.
- Keep tools, working area and equipment clean.
- After disassembling the filter, clean all parts, check for damage or wear and replace parts if necessary.
- When changing a filter element, a high level of cleanliness must be observed.

6.4 Interval Between Element Changes

In principle we recommend that the filter element is changed every 6 months or upon indication, whichever occurs first.

We recommend installing the filter with a clogging indicator (visual and/or electrical or electronic) to monitor the filter element.

If the clogging indicator responds, it is necessary to change or clean the filter element without delay (only W and V elements can be cleaned).

When no clogging indicator has been installed, we recommend changing the elements at specific intervals. (*The frequency of changing the filter elements depends on the filter design and the conditions under which the filter is operated*). When filter elements are subject to high dynamic loading it may prove necessary to change them more frequently. The same applies when the hydraulic system is commissioned, repaired or when the oil is changed

The standard clogging indicators only respond when fluid is flowing through the filter. With electrical indicators the signal can also be converted into a continuous display on the control panel. In this case the continuous display must be switched off during a cold start or after changing the element.

If the clogging indicator responds during a cold start only, it is possible that the element does not yet need to be changed.

Customer Information in respect of Machinery Directive 2006/42/EC

Hydraulic filters are defined as fluid power parts / components and are therefore excluded from the scope of the Machinery Directive, sections 1.4.1 - 1.4.3. They do not bear the CE mark.

Before using these components, ensure compliance with the specifications provided by HYDAC Technology Corporation. The specifications also contain information on the relevant essential health and safety requirements (based on Machinery Directive 2006/42/EC).

We hereby declare that the filters are intended to be incorporated into machinery within the terms of the Directive 2006/42/EC. It is prohibited to put the filters into service until the machinery as a whole is in conformity with the provisions of the Machinery Directive.

Service address

HYDAC Technology Corporation Filter Division

2260 City Line Road
Bethlehem, PA 18017
+1.610.266.0100

NOTE

The information in this brochure relates to the operating conditions and applications described.

For applications or operating conditions not described, please contact the relevant technical department.

Subject to technical modifications.

