



## Filters

# HDF-HDFF Series

## Service and Parts

up to 100 gpm (380 l/min),  
up to 4000 or 6000 psi (280 or 420 bar)

### 1. Maintenance

#### 1.1 General

Please follow the maintenance instructions.

#### 1.2 Installation

Before installing the filter into the system, check that the operating pressure of the system does not exceed the permitted operating pressure of the filter. Refer to the type code label on the filter.

**Important:**

When using filters without bypass valve and at operating pressures above 20 bar, (290 psi), high differential pressure-resistant filter elements of the type BH/HC must be used for safety reasons.

Under extreme conditions (e.g. cold start), bypass valves will allow a partial flow past the element for a short time.

#### 1.3 Commissioning

Check that the correct filter element is installed. Screw in bowl again fully and then unscrew by one quarter-turn (the sealing effect will not be improved by overtightening).

Switch on the hydraulic system and check filter for leakage.

Vent filter at an appropriate point in the system.

#### 1.4 Maintenance Tools

Size	Wrench for filter bowl	Wrench for VD 0 A.1
300-650	Hex 32	Hex 27
900	Hex 30	Hex 27

#### 1.5 Torque Values

Type	Torque Nm [ft-lb]
VD clogging indicator	100 [74] 50 [36] (A, LE, LZ)
Oil Drain Plug*	80 [59]
Bowl/Lid or end cover	Do not Torque (See 1.3 and 2.2)

\*- HDF900 (standard)  
- SO184

### 2. Element Replacement

#### 2.1 Element Removal

- Switch off hydraulic system and release filter pressure.
- Remove oil drain plug (if present). Drain oil into container.
- One-piece bowl:**  
Unscrew filter bowl (drain fluid into a suitable container and clean or dispose of it in accordance with environmental regulations).
- Two-piece bowl:**  
Unscrew lid cover (drain fluid into a suitable container and clean or dispose of it in accordance with environmental regulations) and remove threaded pin.
- Top removable:**  
Unscrew the lid
- Remove filter element from element nozzle in filter head (check surface of element for contamination residue and larger particles; these can indicate damage to components).
- Replace or clean filter element - only W/HC (wire screen) and V (metal fiber) elements can be cleaned.
- Clean filter bowl and filter head; particular attention must be given to the threads.
- Examine filter, especially sealing surfaces, for mechanical damage.
- Check O-rings – and replace if necessary

#### 2.2 Element Installation

- Wet the sealing surfaces and thread on the filter head and bowl/lid, as well as the O-ring, with clean operating fluid.
- When installing a new filter element, check that the designation corresponds to that of the old element.
- Place filter element carefully on to the element nozzle.  
**In addition, on two-piece bowl:**  
Install element with threaded pin.
- One-piece bowl:**  
Apply silver grade anti-seize (per Mil-PRF-907E) to threads. Screw in filter bowl fully (metal to metal contact).  
**Two-piece bowl and top removable:**  
Apply silver grade anti-seize (per Mil-PRF-907E) to threads. Screw in lid fully (metal to metal contact).
- Screw in oil drain plug (if present).
- Unscrew filter bowl or lid by one quarter-turn.
- Switch on hydraulic system and vent filter at a suitable point in the system.
- Check filter for leakage.

**NOTE:**

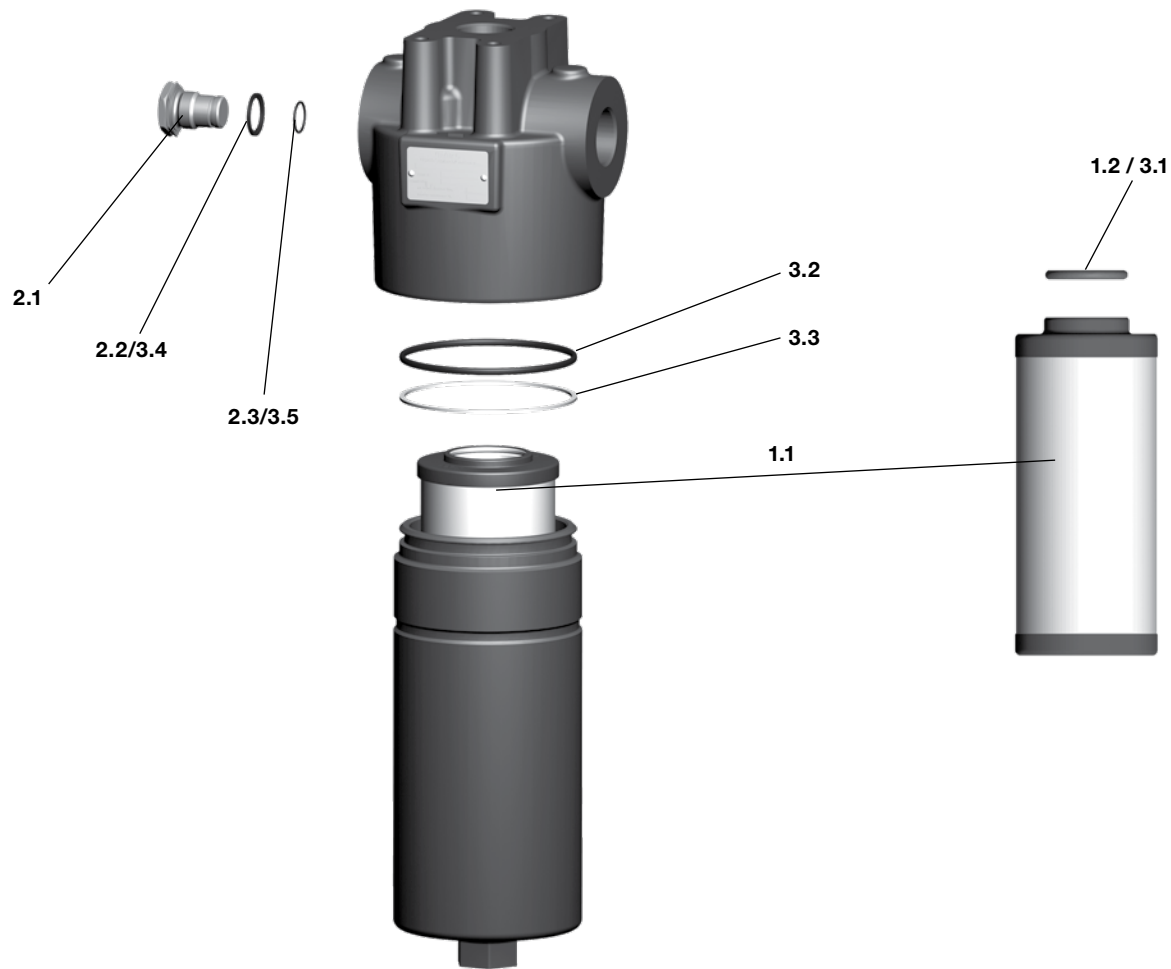
Contamination or incomplete pressure release on disassembly can lead to seizing of the bowl thread.

Filter elements which cannot be cleaned must be disposed of in accordance with environmental protection regulations.

# FILTER MAINTENANCE

## 3. Spare Parts

### 3.1 HDF/HDFF 300 – 650

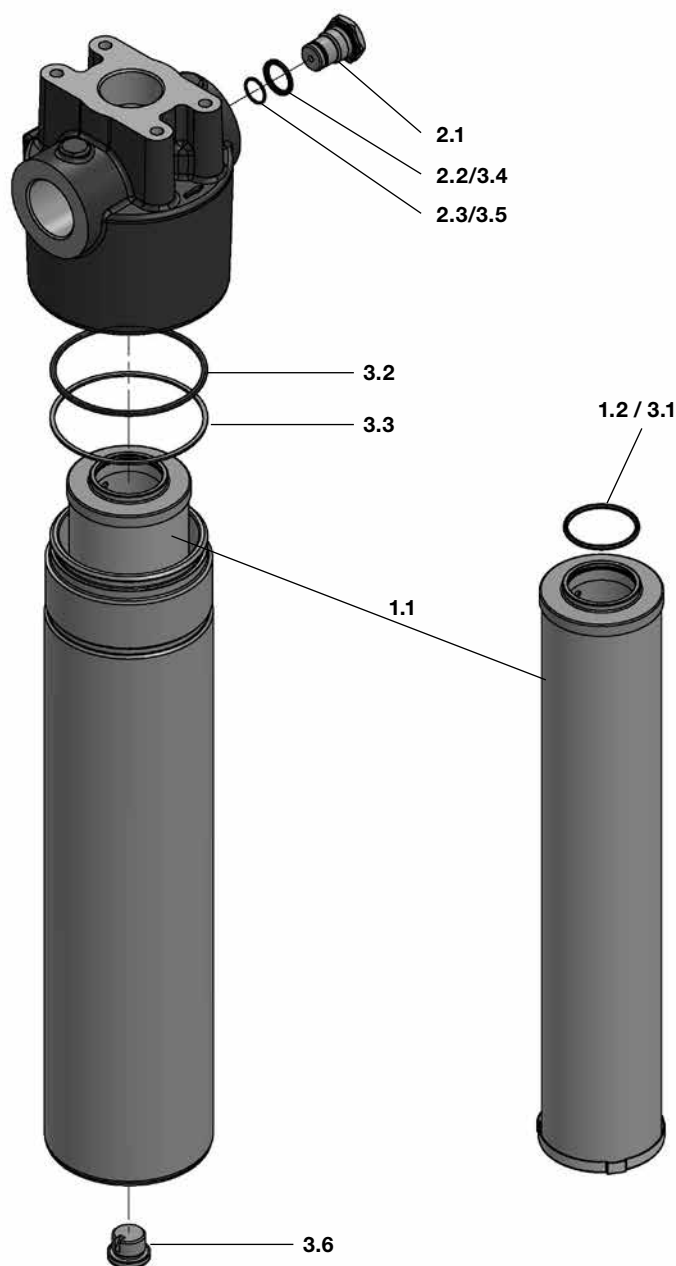


Item	Consists	Designation	300	450	650
<b>1.</b>		<b>Filter element</b>	See Point 4. Replacement elements		
	1.1	Filter element	0300 D...	0450 D...	0650 D...
	1.2	O-ring	42.52 x 2.62		
<b>2.</b>		<b>Clogging indicator or indicator plug</b>	See Point 5. Replacement clogging indicator		
	2.1	Indicator plug VD 0 A.1 VD 0 A.1 /-V	00305932 00305931		
	2.2	Profile seal ring	VD...		
	2.3	O-ring	15 x 1.5		
<b>3.</b>		<b>Repair kit HDF/F Repair kit HDF/F /-V</b>	01300487 01300488		
	3.1	O-ring (element)	42.52 x 2.62		
	3.2	O-ring (bowl)	91.67 x 3.53		
	3.3	Back-up ring (bowl)	HDF...		
	3.4	Profile seal ring (indicator)	VD...		
	3.5	O-ring (indicator)	15 x 1.5		

If present - O-Ring durometer can range from 70-80Sh. EPR Seal Kits available on request.

- Bowl assembly kits on request – kits include complete bowl with seals and plug.

## 3.2 HDF/HDFF 900

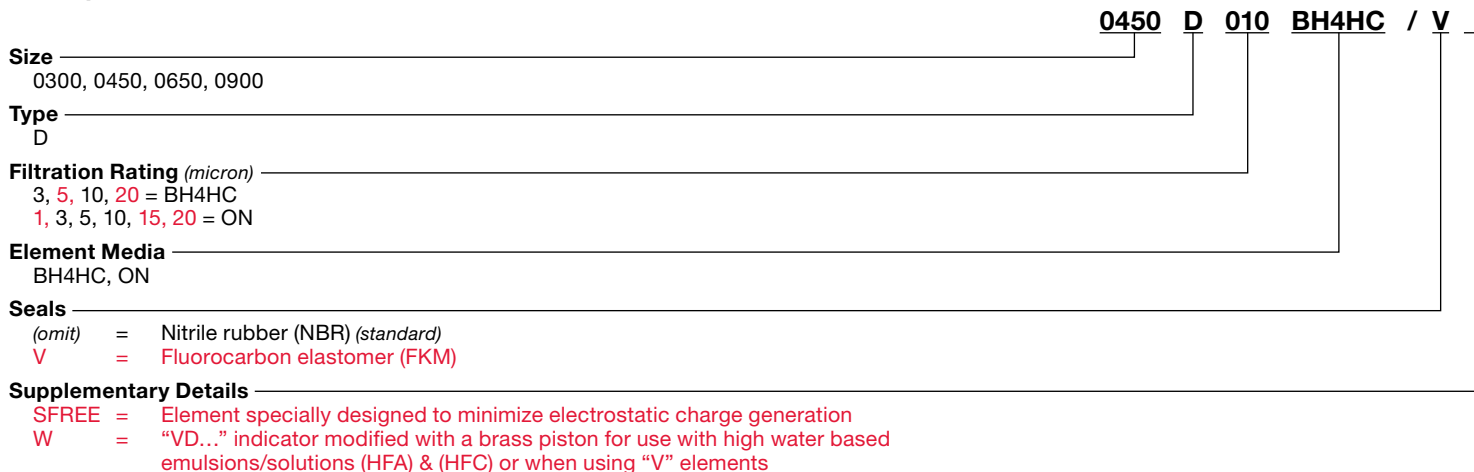


Item	Consists	Designation	900
<b>1.</b>		<b>Filter element</b>	See Point 4. Replacement elements
	1.1	Filter element	0900 D...
	1.2	O-ring	42.52 x 2.62
<b>2.</b>		<b>Clogging indicator or indicator plug</b>	See Point 5. Replacement clogging indicator
	2.1	Indicator plug VD 0 A.1 VD 0 A.1 /-V	00305932 00305931
	2.2	Profile seal ring	VD...
	2.3	O-ring	15 x 1.5
<b>3.</b>		<b>Repair kit HDF/F Repair kit HDF/F /-V</b>	01300487 01300488
	3.1	O-ring (element)	42.52 x 2.62
	3.2	O-ring (bowl)	91.67 x 3.53
	3.3	Back-up ring (bowl)	HDF...
	3.4	Profile seal ring (indicator)	VD...
	3.5	O-ring (indicator)	15 x 1.5
	3.6	Oil Drain Plug	G 1/2

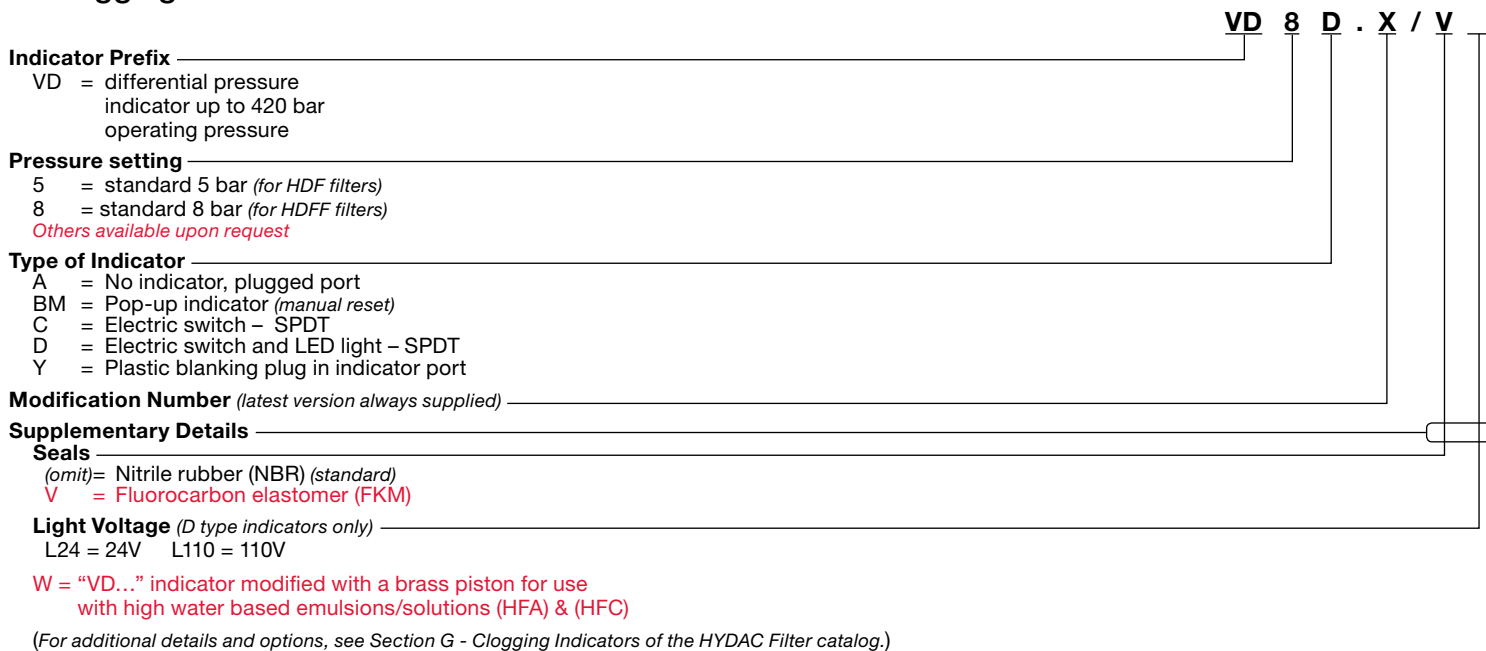
If present - O-Ring durometer can range from 70-80Sh. EPR Seal Kits available on request.  
 - Bowl assembly kits on request – kits include complete bowl with seals and plug.

# FILTER MAINTENANCE

## 4. Replacement Element Model Code



## 5. Clogging Indicator Model Code

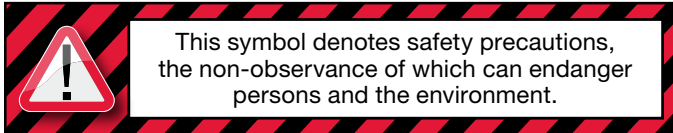


## 6. Maintenance Instructions

### 6.1 User Instructions for Filters



- This pressure equipment must only be put into operation in conjunction with a machine or system.
- The pressure equipment must only be used as stipulated in the operating instructions of the machine or system.
- This pressure equipment must only be operated using hydraulic or lubricating fluid.
- It is the responsibility of the operator to comply with the water regulations of the country concerned.



#### CAUTION

- The user must take appropriate action (e.g. venting) to prevent the formation of air pockets.
- Repairs, maintenance work and commissioning must only be carried out by trained personnel.
- Allow the pressure equipment to cool before handling.
- The stipulations of the operating instructions of the machine or the system must be followed.
- Statutory accident prevention regulations, safety regulations and safety data sheets for fluids must be observed.
- Filter housing must be grounded.
- When working on, or in the vicinity of, hydraulic systems, open flames, sparks and smoking are forbidden.
- Hydraulic oils and water-polluting fluids must not be allowed to enter the soil or watercourses or sewer systems. Please ensure safe and environmentally friendly disposal of hydraulic oils. The relevant regulations in the country concerned with regard to ground water pollution, used oil and waste must be complied with.
- Whenever work is carried out on the filter, be prepared for hot oil to escape which can cause injury or scalding as a result of its high pressure or temperature.

#### DANGER!

- Caution: pressure equipment! Before any work is carried out on the pressure equipment, ensure the pressure chamber concerned (filter housing) is depressurized.
- On no account must any modifications (welding, drilling, opening by force...) be carried out on the pressure equipment.
- When using electrical clogging indicators, the electrical power supply to the system must be switched off before removing the clogging indicator connector.

### 6.2 Maintenance, General

This section describes maintenance work which must be carried out periodically. The operational safety and life expectancy of the filter, and whether it is ready for use, depend to a large extent on regular and careful maintenance.

### 6.3 Maintenance Measures

- Spare parts must fulfil the technical requirements specified by the manufacturer.  
This is always ensured when using original HYDAC spare parts.
- Keep tools, working area and equipment clean.
- After disassembling the filter, clean all parts, check for damage or wear and replace parts if necessary.
- When changing a filter element, a high level of cleanliness must be observed.

### 6.4 Interval Between Element Changes

In principle we recommend that the filter element is changed every 6 months or upon indication, whichever occurs first.

We recommend installing the filter with a clogging indicator (visual and/or electrical or electronic) to monitor the filter element.

If the clogging indicator responds, it is necessary to change or clean the filter element without delay (only W and V elements can be cleaned).

When no clogging indicator has been installed, we recommend changing the elements at specific intervals. (*The frequency of changing the filter elements depends on the filter design and the conditions under which the filter is operated*). When filter elements are subject to high dynamic loading it may prove necessary to change them more frequently. The same applies when the hydraulic system is commissioned, repaired or when the oil is changed

The standard clogging indicators only respond when fluid is flowing through the filter. With electrical indicators the signal can also be converted into a continuous display on the control panel. In this case the continuous display must be switched off during a cold start or after changing the element.

If the clogging indicator responds during a cold start only, it is possible that the element does not yet need to be changed.

#### Customer Information in respect of Machinery Directive 2006/42/EC

Hydraulic filters are defined as fluid power parts / components and are therefore excluded from the scope of the Machinery Directive, sections 1.4.1 - 1.4.3. They do not bear the CE mark.

Before using these components, ensure compliance with the specifications provided by HYDAC Technology Corporation. The specifications also contain information on the relevant essential health and safety requirements (based on Machinery Directive 2006/42/EC).

We hereby declare that the filters are intended to be incorporated into machinery within the terms of the Directive 2006/42/EC. It is prohibited to put the filters into service until the machinery as a whole is in conformity with the provisions of the Machinery Directive.

#### Service address

##### HYDAC Technology Corporation Filter Division

2260 City Line Road  
Bethlehem, PA 18017  
+1.610.266.0100

#### NOTE

The information in this brochure relates to the operating conditions and applications described.

For applications or operating conditions not described, please contact the relevant technical department.

Subject to technical modifications.

Global Headquarters  
HYDAC INTERNATIONAL  
GMBH

Industriegebiet  
D – 66280 Sulzbach/Saar  
Germany

Tel.: +49 6897 509-01

Fax: +49 6897 509-577

Internet: [www.hydac.com](http://www.hydac.com)  
Email: [info@hydac.com](mailto:info@hydac.com)

## North America Locations

### USA

[www.HYDAC-NA.com](http://www.HYDAC-NA.com)

**North America Headquarters**  
**HYDAC TECHNOLOGY CORPORATION**  
**Filter Division**

2260 City Line Road  
Bethlehem, PA 18017  
**+1.610.266.0100**

**HYDAC TECHNOLOGY CORPORATION**  
**Electronic Division**  
**Process Filter Division**

**HYDAC CORPORATION**  
**Accumulator Division**  
90 Southland Drive  
Bethlehem, PA 18017  
**+1.610.266.0100**

**HYDAC TECHNOLOGY CORPORATION**  
**Accessory Division**  
2204 Avenue C  
Bethlehem, PA 18017  
**+1.610.266.0100**

**HYDAC TECHNOLOGY CORPORATION**  
**Filter System Division**  
**Process Filter Division**  
**Fuel Filtration Division**

580 West Park Road  
Leetsdale, PA 15056  
**+1.724.318.1100**

**HYDAC TECHNOLOGY CORPORATION**  
**Hydraulic Division –**  
**Compact Hydraulics**

450 / 445 Windy Point Drive  
Glendale Heights, IL 60139  
**+1.630.545.0800**

**HYDAC TECHNOLOGY CORPORATION**  
**Hydraulic Division – Tech Center**  
430 Windy Point Drive  
Glendale Heights, IL 60139  
**+1.630.545.0800**

**HYDAC TECHNOLOGY CORPORATION**  
**Cooling System Division**

1051 Airlie Parkway  
Denver, NC 28037  
**+1.610.266.0100**

**HYDAC TECHNOLOGY CORPORATION**  
**Mobile Hydraulic Division**

1660 Enterprise Parkway • Suite E  
Wooster, OH 44691  
**+1.610.266.0100**

**HYDAC CYLINDERS LLC**  
540 Carson Road North  
Birmingham, AL 35217  
**+1.205.520.1220**

**HYDAC TECHNOLOGY CORPORATION**  
**HYDAC CORPORATION**  
**Sales Office & Operations**

510 Stonegate Drive  
Katy, TX 77494  
**+1.281.579.8100**

**HYDAC TECHNOLOGY CORPORATION**  
**HYDAC CORPORATION**  
**NW Sales Office & Operations**

1201 NE 144th St. Bldg. B • Suite 111  
Vancouver, WA 98685  
**+1.610.266.0100**

**HYDAC TECHNOLOGY CORPORATION**  
**HYDAC CORPORATION**  
**NE Sales Office**  
1660 Enterprise Parkway • Suite E  
Wooster, OH 44691  
**+1.610.266.0100**

**HYDAC TECHNOLOGY CORPORATION**  
**HYDAC CORPORATION**  
**SE Sales Office**

1051 Airlie Parkway  
Denver, NC 28037  
**+1.610.266.0100**

**HYDAC TECHNOLOGY CORPORATION**  
**HYDAC CORPORATION**  
**NC Sales Office**

9415 West Forest Home Ave. • Suite 200  
Hales Corners, WI 53130  
**+1.610.266.0100**

### Canada

[www.HYDAC-NA.com](http://www.HYDAC-NA.com)

**HYDAC CORPORATION**  
14 Federal Road  
Welland, Ontario, Canada L3B 3P2  
**+1.905.714.9322**

**HYDAC CORPORATION**  
**Sales Office**  
5160 75 Street NW  
Edmonton, Alberta, Canada T6E 6W2  
**+1.780.484.4228**

**HYDAC CORPORATION**  
**Sales Office**  
Montreal, Québec, Canada J2M 1K9  
**+1.877.539.3388**

### Mexico

[www.HYDACmex.com](http://www.HYDACmex.com)

**HYDAC INTERNATIONAL SA de CV**  
Calle Alfredo A Nobel No 35  
Col Puente de Vigas  
Tlalnepantla, Edo Mexico  
CP 54090  
Mexico  
**+011.52.55.4777.1262**