

Your Partner for Mobile Valves

Results based on cooperation.

Integrated into the HYDAC Group, the specialized products and systems from HYDAC and Nordhydraulic together can provide highly individualized solutions, tailored to customer requirements, in addition to standard products for mobile systems.

Our mobile valves are characterized by highly advanced design solutions, including customized spools. Our objective is to optimize the controllability and performance of the machine.

The HYDAC network of top-quality suppliers and partners, in combination with our own foundry and high performance production provides us with the capacity to serve and satisfy all customers, regardless of size and volumes.

Global yet local.

With over 50 overseas subsidiaries, 1000's of sales and service partners and local production facilities in the US, HYDAC is one of the leading suppliers of fluid technology, hydraulic and electronic equipment, and is your reliable partner worldwide.

Expertise with a firm foundation.

A team of technical product specialists has been appointed to pool the know-how and experience of both companies in mobile applications. We can support your projects with extensive engineering services, joint product development and testing.

Our wide range of products, combined with our expertise in development, manufacturing, sales and service enables industries worldwide to overcome the most diverse problems.

System solutions. One supplier. One contact.

Wherever you need us, we are there to help you find the most effective solution – for every application, from components to a complete system. HYDAC Mobile Hydraulic Division is ready to help you develop the most **compact, cost effective, and energy efficient solution.**

HYDAC INTERNATIONAL

Global Headquarters
HYDAC INTERNATIONAL
GMBH

Industriegebiet
D – 66280 Sulzbach/Saar
Germany

Tel.: +49 6897 509-01

Fax: +49 6897 509-577

Internet: www.hydac.com
Email: info@hydac.com

HYDAC North America Locations

www.HYDACusa.com

USA

**HYDAC TECHNOLOGY CORPORATION
Filter Division**
2260 City Line Road
Bethlehem, PA 18017
+1.610.266.0100

**HYDAC TECHNOLOGY CORPORATION
Accessory Division
Marketing**
2204 Avenue C
Bethlehem, PA 18017
+1.610.266.0100

**HYDAC TECHNOLOGY CORPORATION
Electronic Division
Process Filter Division**
**HYDAC CORPORATION
Accumulator Division**
90 Southland Drive
Bethlehem, PA 18017
+1.610.266.0100

**HYDAC TECHNOLOGY CORPORATION
Filter System Division
Process Filter Division**
580 West Park Road
Leetsdale, PA 15056
+1.724.318.1100

**HYDAC TECHNOLOGY CORPORATION
Hydraulic Division - Compact Hydraulics**
450 Windy Point Drive
Glendale Heights, IL 60139
+1.630.545.0800

**HYDAC TECHNOLOGY CORPORATION
Mobile Hydraulic Division**
1660 Enterprise Parkway • Suite E
Wooster, OH 44691
+1.610.266.0100

HYDAC CYLINDERS LLC
540 Carson Road North
Birmingham, AL 35217
+1.205.520.1220

Canada

HYDAC CORPORATION
14 Federal Road
Welland, Ontario, Canada L3B 3P2
+1.905.714.9322

**HYDAC CORPORATION
Sales Office**
Montreal, Québec, Canada J2M 1K9
+1.877.539.3388

Mexico

HYDAC INTERNATIONAL SA DE CV
Calle Alfredo A. Nobel #35
Colonia Industrial Los Reyes
Tlalpan, CP. 54075
Edo. de Mexico
+011.52.55.47771262

**HYDAC TECHNOLOGY CORPORATION
Cooling System Division**
1051 Airlie Parkway
Denver, NC 28037
+1.610.266.0100 x1805

**HYDAC TECHNOLOGY CORPORATION
Cooling System Division - Industrial Office**
445 Windy Point Drive
Glendale Heights, IL 60139
+1.630.545.0800

**HYDAC TECHNOLOGY CORPORATION
HYDAC CORPORATION
Sales Office & Operations**
1718 Fry Road, Suite 100
Houston, TX 77084
+1.281.579.8100

**HYDAC TECHNOLOGY CORPORATION
HYDAC CORPORATION
NE Sales Office**
1660 Enterprise Parkway • Suite E
Wooster, OH 44691
+1.610.266.0100

**HYDAC TECHNOLOGY CORPORATION
HYDAC CORPORATION
SE Sales Office**
1051 Airlie Parkway
Denver, NC 28037
+1.610.266.0100 x1805

**HYDAC TECHNOLOGY CORPORATION
HYDAC CORPORATION
NW Sales Office**
1201 NE 144th St. Bldg. B, Suite 111
Vancouver, WA 98685
+1.610.266.0100

www.HYDAC.ca

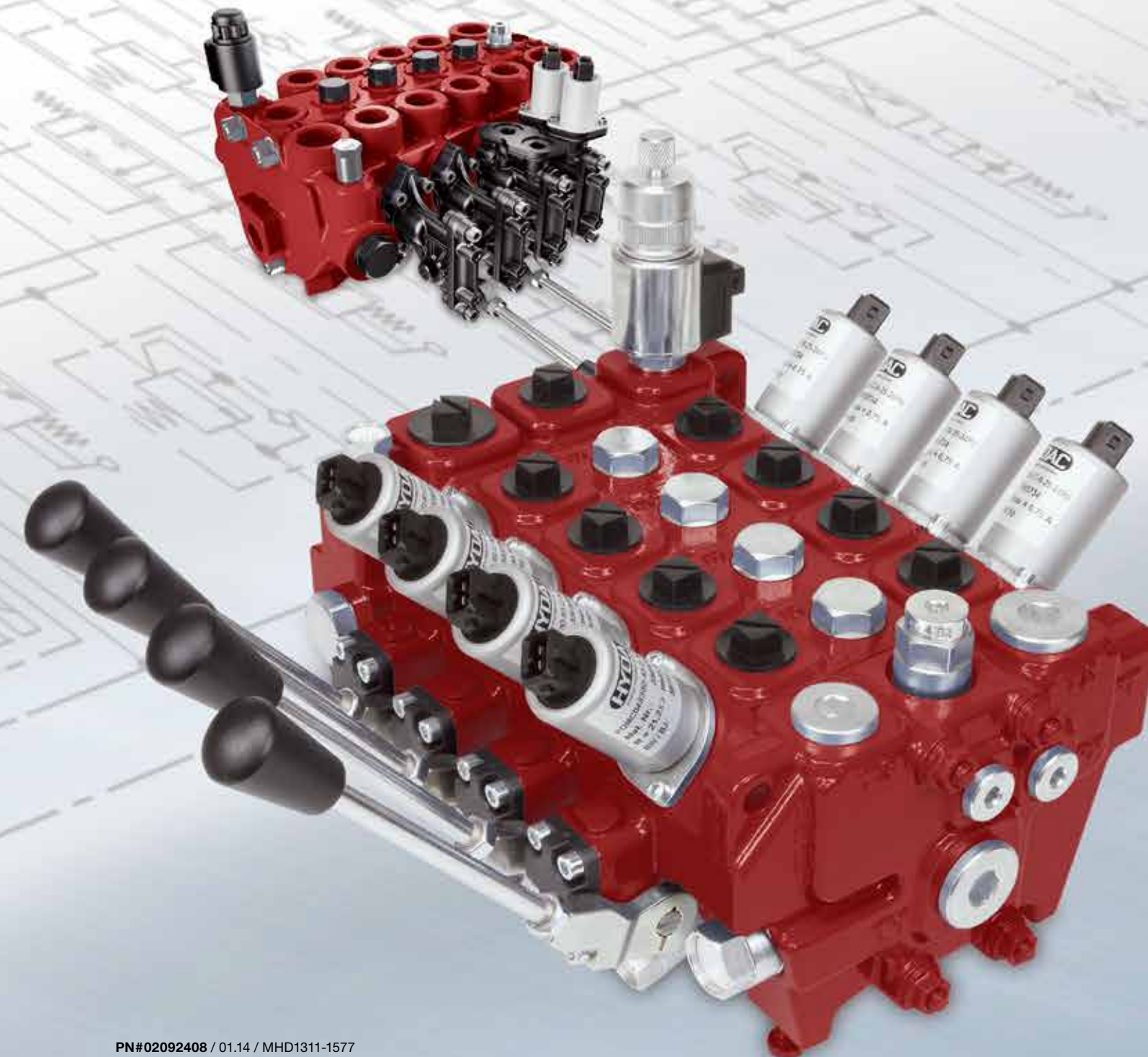
**HYDAC CORPORATION
Sales Office**
101 - 18207 114 AVE W
Edmonton, Alberta, Canada T5S 2P6
+1.780.484.4228

www.HYDACmex.com

HYDAC INTERNATIONAL



Mobile Valves



System Electronics / Ancillary Valves

Wireless Remote Controls



A complete remote control system for the proportional operation of different applications.

MWV Electric Selector Valve



2 Position / 6 Way, 3600 PSI; 32 gpm various connectors available.

RV 713 Manual Selector Valve



2 Position / 3 Way, 3600 PSI; 42 gpm various actuators available.

Mobile Valves & Integrated Solutions

Hydraulic Valves with Various Actuator Methods and Exceptional Controllability

- Optional spool designs to minimize flow forces and the impacts of multi-function interference to meet the requirements of the most demanding applications.
- Beneficial valve options to significantly reduce back pressure and speed up gravity return of single acting, cylinders.
- Typical flows up to 42 gpm and pressure to 5000 psi
- Integrated packages reduce machine assembly time, potential leak points and total system cost
- Multiple spool actuators for machine design flexibility



The HYDAC design team will incorporate various machine functions with standard control valves into a single, cost effective system.

Directional Control Valves

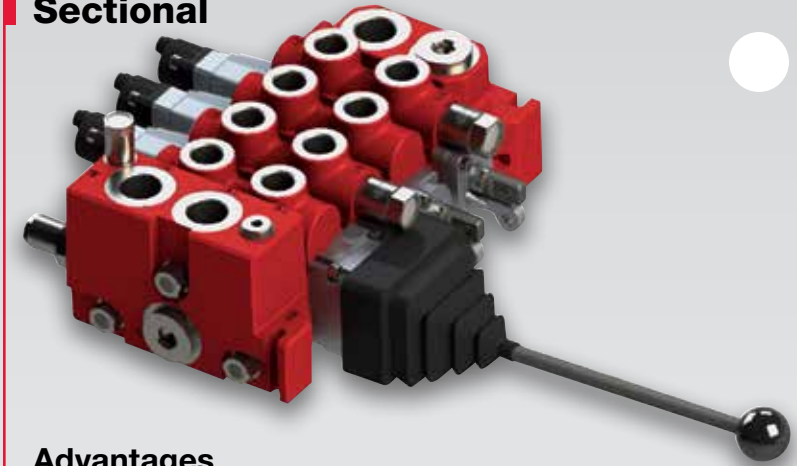
RS 160 Sectional



- Advantages**
- **Low pressure drops** – Fast lowering speeds due to low return line pressure drop
 - **Safety Features** - Spool position & inlet unloading
- Main applications**
 Refuse Trucks - Tarp control, Small Drill Rigs, Service Cranes



RS 210 Sectional



- Advantages**
- **Low leakage** – Design experience and manufacturing expertise
 - **Standardization** – Same valve for open center or load sense systems
 - **Energy Savings** - Low pressure drop
- Main applications**
 Material Handling, Rough Terrain Forklifts, Small Construction Machines, Small Backhoes, Oil & Gas , Wreckers



Directional Control Valves

RS 220 Sectional



- Advantages**
- **Precise Controllability** – Numerous spool designs ensure the best performance for each application
 - **Safety features** – Overload protection, load holding valves
 - **Energy savings** – Smart system solutions, reduce loss and overall cost
- Main applications**
 Service Trucks, Cranes, Trailers, Wreckers, Recovery Vehicles



RSQ 240 Sectional

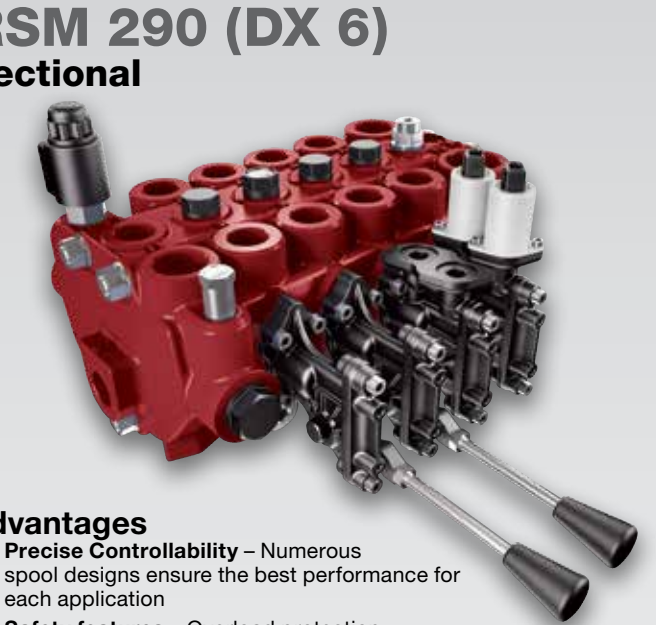


- Advantages**
- **Space and weight savings** – Pioneers in compact design
- Main applications**
 Material Handling, Snow Plows, Cranes up to 10 ton



Directional Control Valves

RSM 290 (DX 6) Sectional



- Advantages**
- **Precise Controllability** – Numerous spool designs ensure the best performance for each application
 - **Safety features** – Overload protection
 - **Energy savings** – Smart system solutions, reduce loss and overall cost
- Main applications**
 Cranes - up to 40 ton, Refuse Trucks, Material Handling



RMU 270 Monoblock

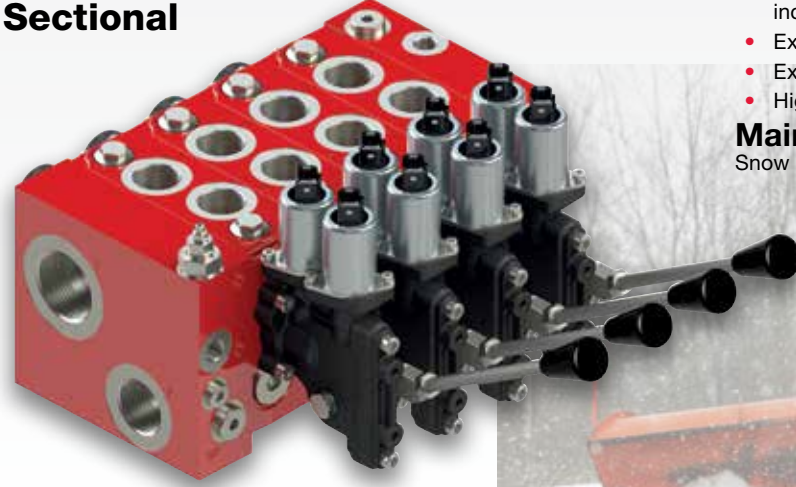


- Advantages**
- **Environmental benefits** – Monoblock valve design
- Main applications**
 Roll-Off trucks, Refuse Trucks, Oil & Gas



Load Sensing Directional Control Valves

LX 6 Sectional



- Advantages**
- Integrated solutions for open center and load sensing functions including spool and cartridge combinations.
 - Exceptional resolution due to extended spool stroke.
 - Excellent pressure compensation
 - High power density
- Main applications**
 Snow Plows, Cranes, Drill Rigs, Telehandlers



Technical Specifications

Model	Rated Flow	System Pressure (psi)	No. of Sections	Valve Type	Cable	Remote Control Options						Work Port ¹	
						Pneumatic	Electro Pneumatic	Hydraulic Pilot	Electro Hydraulic (Prop and On/Off)	Electric Unloading	Q-Func. ³		Hydraulic Spool Kickout
RS 160 ²	15	4350	1 - 10	Sect; Open Ctr	•	•		•	•	•			SAE 8
RS 210	20	4350	1 - 10	Sect; Open Ctr	•	•	•	•	•	•	•	•	SAE 8
RS 220 ²	25	4350	1 - 10	Sect; Open Ctr			•	•	•	•	•	•	SAE 10
RSQ 240 ²	26	5000	1 - 10	Sect; Open Ctr	•	•		•	•	•	•	•	SAE 10
RMU 270	42	3000	1 - 4, 6	Mono; Open Ctr	•	•	•		•				SAE 12
RSM 290 (DX 6) ²	45	5000	1 - 10	Sect; Open Ctr	•	•		•	•	•	•	•	SAE12
LX 6	42	5000	1 - 10	Sect; Load Sense				•	•			•	SAE 12

1. Other port threads available upon request
 2. Can be used with a variable pump with LS compensator
 3. Q-Function defines a means of improving neutral pressure drop & flow forces
 For manual operation of our valves we can supply a range of hand levers, linear and joystick versions.

Contact HYDAC Mobile Hydraulic Division at Mobile.Valve.Info@hydacusa.com or call your local HYDAC Sales Manager.