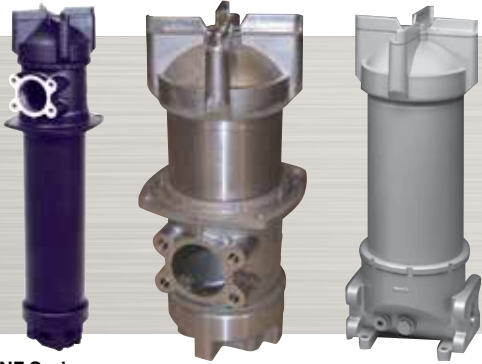


## Filters



NF Series  
NF UHE, NFD UHE, & NF MMP refer to schematics below.

# NF, NF UHE, NFD UHE & NF MMP with 2600 R element

(for Ecomiconfit (1.14.39D) element version, see NF 1314/2614 Eco-Fit Series)

## Service and Parts

up to 924 gpm (3500 l/min), up to 360 psi (25 bar)

### 1. Maintenance

#### 1.1 General

Please follow the maintenance instructions.

#### 1.2 Installation

Before installing the filter into the system, check that the operating pressure of the system does not exceed the permitted operating pressure of the filter.

Refer to the type code label on the filter.

#### 1.3 Commissioning

Check that the correct filter element is installed. Screw in bowl again fully (metal to metal contact) and then unscrew by one quarter-turn (the sealing effect will not be improved by overtightening).

Switch on the hydraulic system and check filter for leakage. Vent filter at an appropriate point in the system.

#### 1.4 Maintenance Tools

Type	Key for clogging indicator or indicator plug	
	VD 0 A.1	VR 0 A.0
NF	Hex 27	Hex 19

\*for SO184

#### 1.5 Torque Values

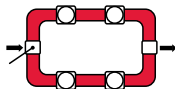
Type	Max Torque Nm[ft-lb]
VM clogging indicator	33 [24]
VR clogging indicator	33 [24]
Bowl/Lid or end cover	Do not Torque See 1.3 and 2.2.

Size	Vent Plug	Drain Plug	Int. Hex	Ext. Hex	Torque Value Nm[ft-lb]
160 240 280	VSTI G1/4		Hex 6	-	52[38]
		VSTI G1/4	Hex 6		19[14]
		SAE-6	Hex 1/4"	-	30[22]
330 500 750	VSTI G1/4		Hex 6	-	52[38]
		VSTI G1/4	Hex 6	-	19[14]
	VR 0 A.0			Hex 19	33[24]
950 1350 2650		VSTI G3/4	Hex 12		91[67]

### 2. Element Replacement

#### 2.1 Element Removal

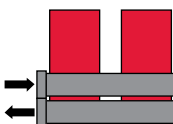
- NF, NF UHE: Switch off hydraulic system and release filter pressure. On version 1.x, release pressure in tank if necessary. NFD UHE, NF MMP: Do not switch off the system. Turn lever through 90°, filtration is switched over to the other side.
- Loosen the air bleed screw(s); remove the oil drain plug(s); drain the oil into a container (not applicable to Version 1.x).
- Unscrew cover plate.
- Remove filter element(s) from element nozzle. Check surface of element for dirt residue and larger particles; these can indicate damage to components.
- Remove dirt retainer (if present) by turning counter-clockwise – bayonet fitting (only on Version 1.x)
- Replace or clean filter element(s) (only W/HC and V elements can be cleaned).
- Clean housing, cover plate and dirt retainer (if present).
- Examine filter, especially sealing surfaces, for mechanical damage.
- Check O-rings – and replace if necessary.



NFD UHE 2 stage shown



NF UHE 2 stage shown



NF MMP52XX shown

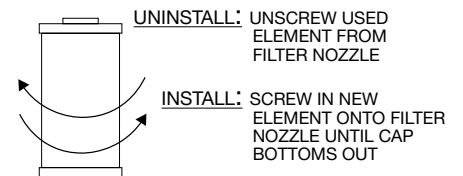
#### 2.2 Element Installation

If the element is a QPG design (Quality-Protected) see below for additional instructions.

- Lubricate the sealing surfaces on the filter housing and cover plate, as well as the O-ring, with clean operating fluid.
- When installing a new filter element, check that the designation corresponds to that of the old element.
- If present, install the dirt retainer onto the new or cleaned filter element by turning clockwise. (only on Version 1.x).
- Place filter element(s) carefully on to the element nozzle.
- Apply silver grade anti-seize (per Mil-PRF-907E) to threads. Screw the cover plate on by hand fully (metal to metal contact) and then a quarter-turn back again.
- Apply silver grade anti-seize (per Mil-PRF-907E) to threads. Screw in the oil drain plug(s); tighten the air bleed screw(s).
- NF, NF UHE: Switch on hydraulic system and vent filter at a suitable point in the system. NFD UHE, NF MMP: Switch the lever to the cleaned filter side and fill the filter until oil exits at the air bleed screw. Close the air bleed screw and switch the lever back to the other filter side.
- Check filter for leakage.

#### QPG Design Element

##### ELEMENT CHANGE OUT



#### NOTE:

When replacing the pipe elbows and connection parts, you must ensure that the parts are assembled without being placed under strain. If this is not observed, the aluminium parts may be damaged.

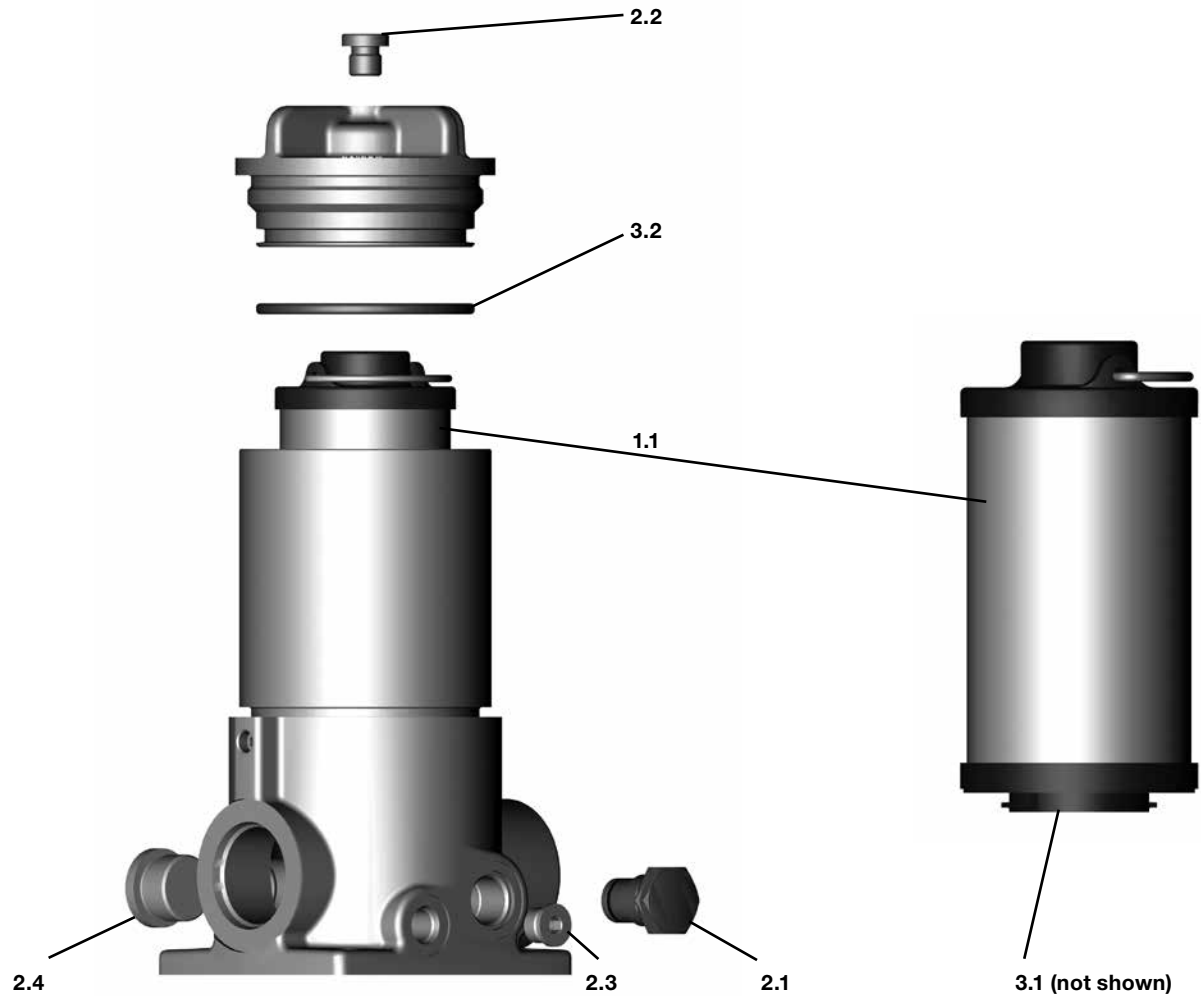
Dirt or incomplete pressure release on disassembly can lead to seizing of the bowl thread.

Filter elements which cannot be cleaned must be disposed of in accordance with environmental protection regulations.

# FILTER MAINTENANCE

## 3. Spare Parts

### 3.1 NF 160-280

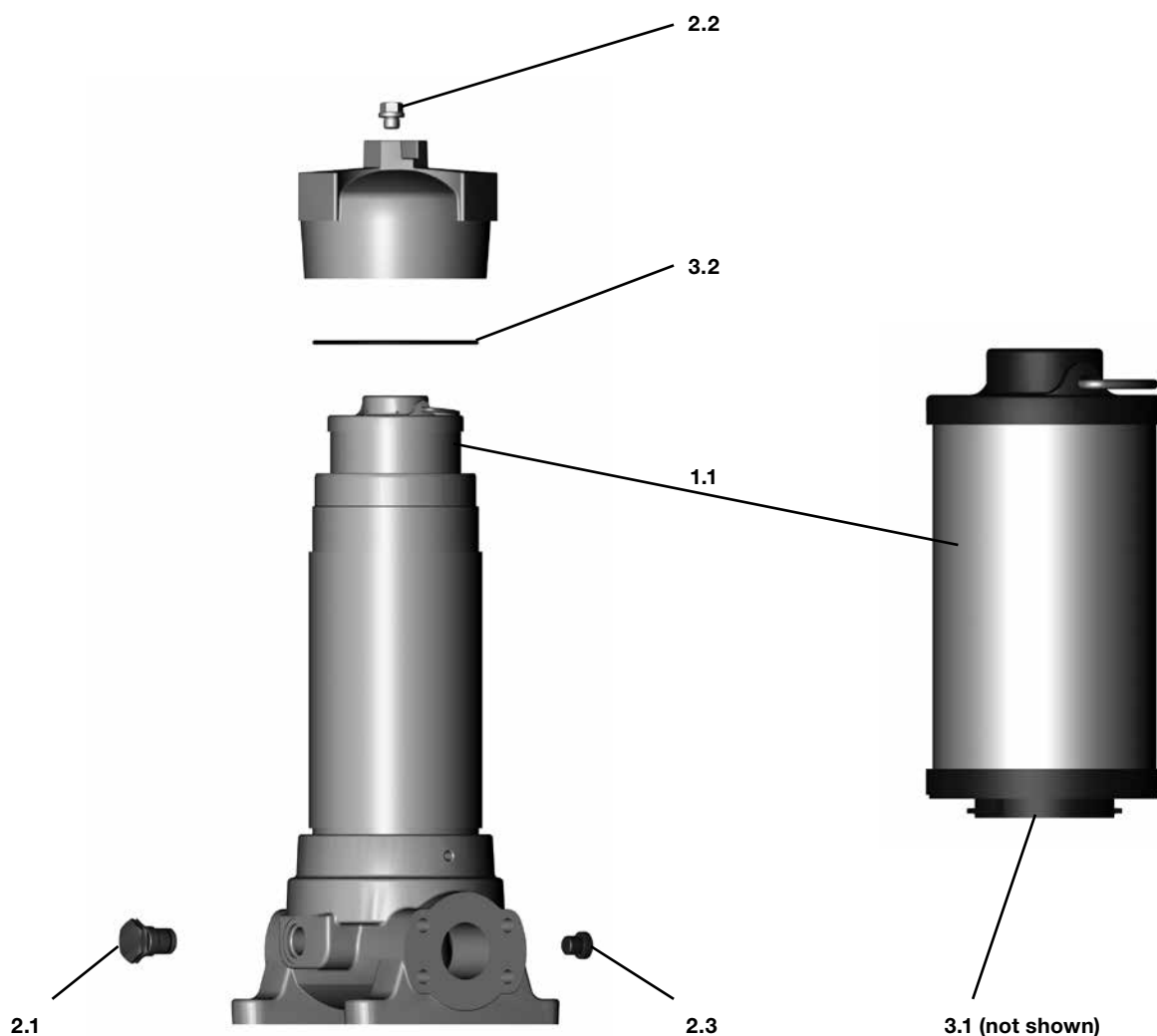


Item	Consists of	Designation	Qty.	160	240	280
<b>1.</b>		<b>Filter element</b>	1	<b>See point 4. Replacement elements</b>		
	1.1	Filter element	1	0160 R...	0240 R...	0280 R...
		<b>Clogging indicator or indicator plug</b>		<b>See Filter 5. Replacement clogging Indicator</b>		
<b>2.</b>	2.1	Indicator plug VD 0 A.0 VD 0 A.0 /-V	1		00305932 00305931	
	2.2	Screw plug G 1/4" NA G 1/4" NA /-V	1		00402880 00418512	
	2.3	Screw plug VSTI G 1/4" NBR VSTI G 1/4" FPM	1		00608658 00612685	
	2.4	Screw plug VSTI G 3/4" NBR VSTI G 3/4" FPM	1		00607167 00613726	
<b>3.</b>		<b>Seal Kit-E NF</b> <b>Seal Kit-E NF /-V</b>	1		01280777 01283606	
	3.1	O-ring (element)	1		34 x 3.5	
	3.2	O-ring (cover plate)	1		80 x 4	

Other spare parts available on request  
Bold items can be ordered.

- O-Ring durometer can range from 70-80Sh. EPR Seal Kits available on request.  
- Bowl assembly kits not available

## 3.2 NF 330-750



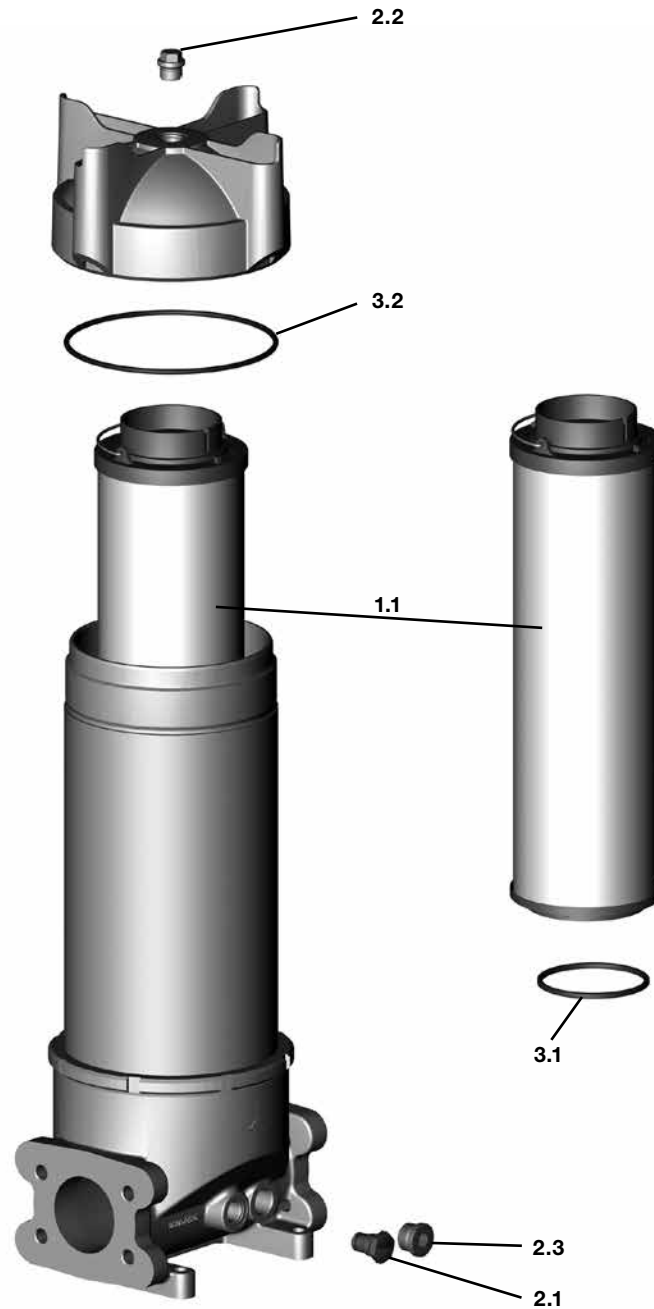
Item	Consists	Designation	Quantity	330	500	750
<b>1.</b>		<b>Filter element</b>	<b>1</b>	<b>See Point 4. Replacement elements</b>		
	1.1	Filter element	1	0330 R...	0500 R...	0750 R...
<b>2.</b>		<b>Clogging indicator or indicator plug</b>		<b>See Point 5. Replacement clogging indicator</b>		
	2.1	Indicator plug VD 0 A.0 VD 0 A.0 /-V	1		00305932 00305931	
	2.2	Screw plug G ¼" NA G ¼" NA /-V	1		00402880 00418512	
	2.3	Screw plug VSTI G ¼" NBR VSTI G ¼" FPM	1		00608658 00612685	
<b>3.</b>		<b>Seal kit E NF Seal kit E NF /-V</b>	<b>1</b>		01295594 01295595	
	3.1	O-ring (element)	1		48 x 3	
	3.2	O-ring (cover plate)	1		117 x 4	

Other spare parts on request!

- O-Ring durometer can range from 70-80Sh. EPR Seal Kits available on request.
- Bowl assembly kits not available

# FILTER MAINTENANCE

## 3.3 NF 950-2650, NF UHE, NFD UHE, NF MMP

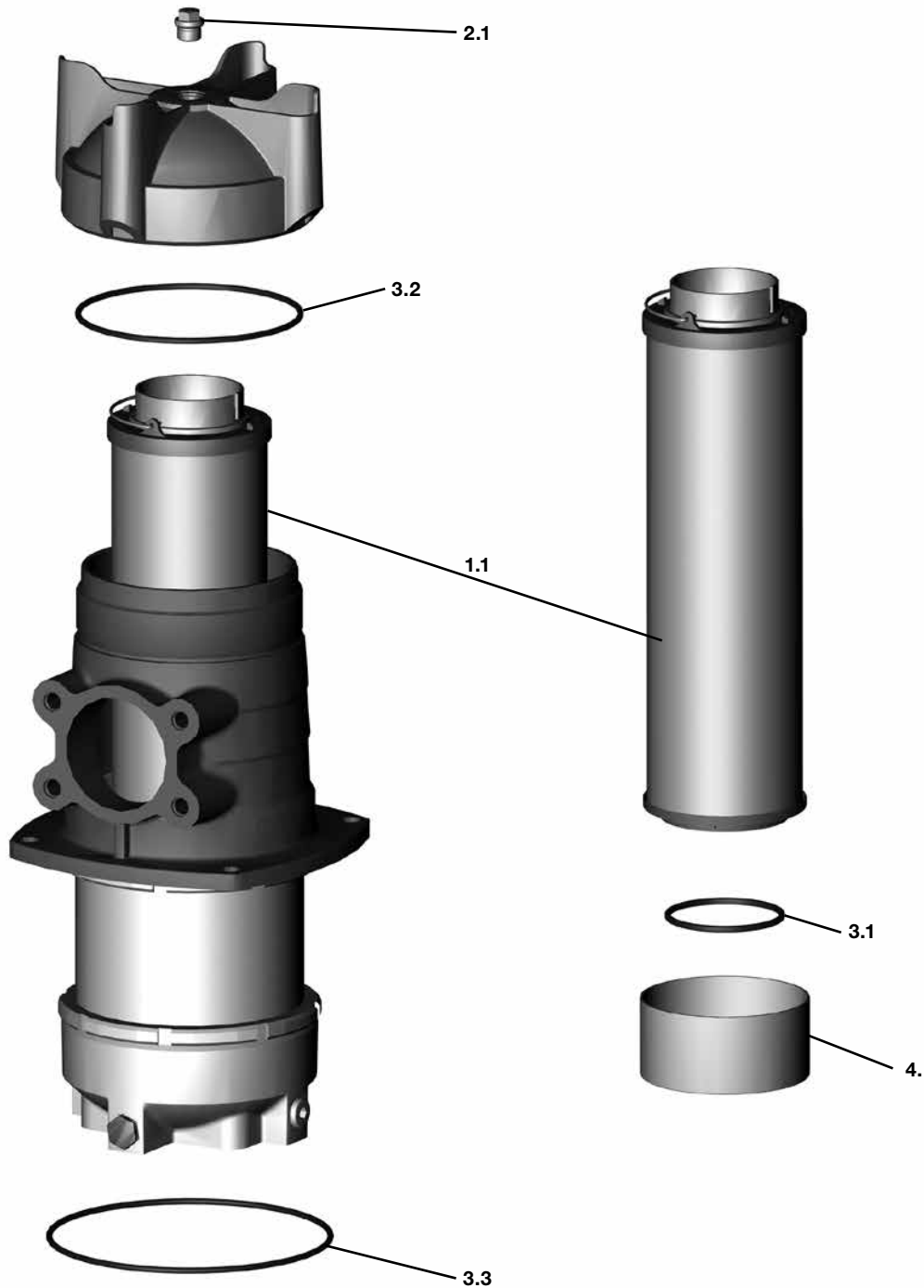


Item	Consists of	Designation	Qty.	950	1350 (NF, NF UHE, NFD UHE)	2650 (NF, NF UHE, NFD UHE, NF MMP)
1.		<b>Filter element</b>	1	<b>See point 4. Replacement elements</b>		
	1.1	Filter element	1	1950 R...	1300 R...	2600 R...
2.		<b>Clogging indicator or indicator plug</b>		<b>See Point 5. Replacement Clogging Indicator</b>		
	2.1	Indicator plug VD 0 A.0 1 VD 0 A. 1 /-V	2		00305932 00305931	
	2.2	Indicator plug VR 0 A.0 VR 0 A.0 /-V	1		00306006 00305928	
	2.3	Screw plug VSTI G 3/4" NBR VSTI G 3/4" FPM	2		00607167 00613726	
3.		<b>Seal kit-E NF</b>	1		01278658 (note, one kit per tower required)	
		<b>Seal kit-E NF /-V</b>	1		01278696 (note, one kit per tower required)	
	3.1	O-ring (element)	1		97.8 x 5.33	
	3.2	O-ring (cover plate)	1		189.87 x 5.33	

Other spare parts available on request  
**Bold items can be ordered.**

- O-Ring durometer can range from 70-80Sh. EPR Seal Kits available on request.  
 - Bowl assembly kits not available

## 3.4 NF 1310-2610...1.X



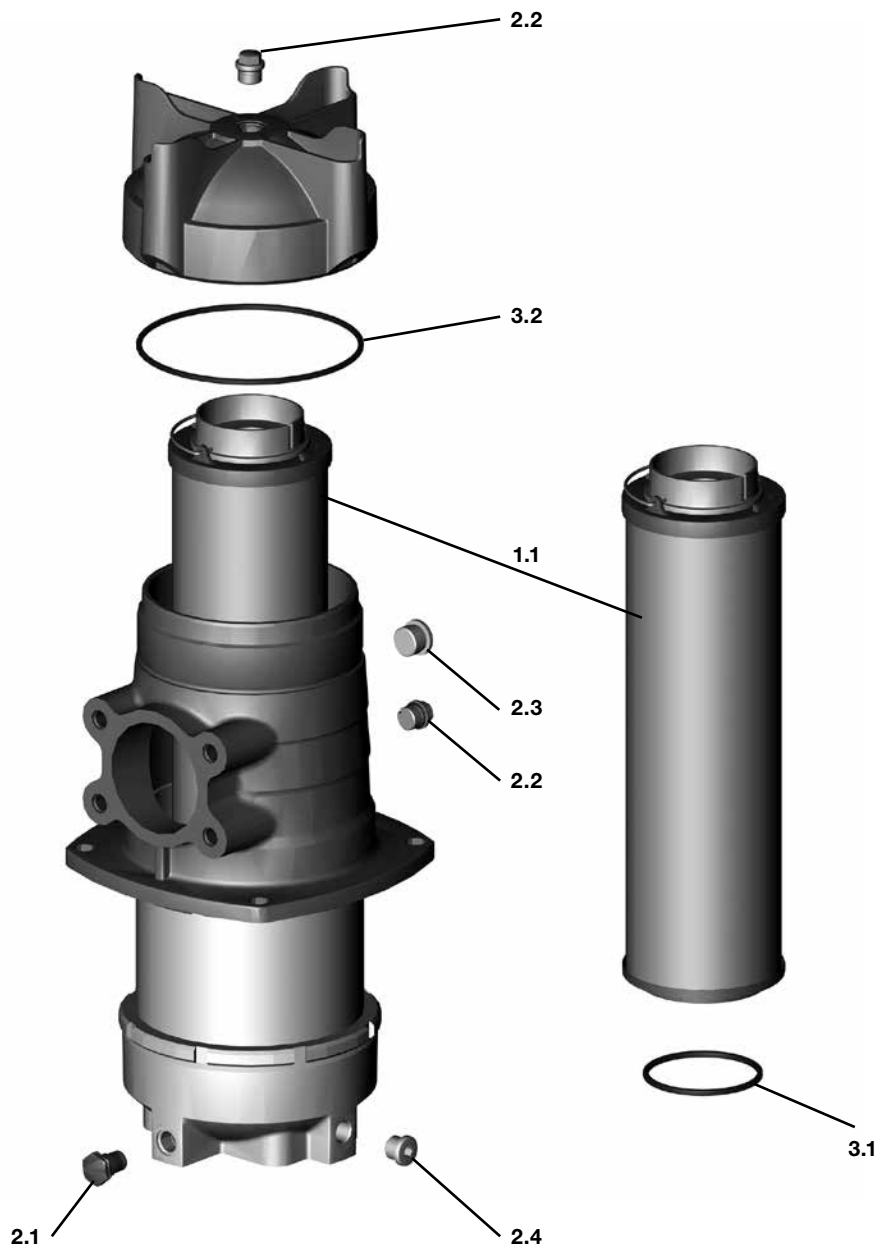
Item	Consists of	Designation	Quantity	NF 1310	NF 2610
1.		<b>Filter element</b>		<b>See point 4. Replacement elements</b>	
	1.1	Filter element	1	1300 R...	2600 R...
2.		<b>Clogging indicator or indicator plug</b>		<b>See Point 5. Replacement clogging indicator for type 1.x</b>	
	2.1	Indicator plug VR 0 A.0 VR 0 A.0 /-V	1		00306006 00305928
3.		<b>Seal kit E NF</b>	1		1270370
		<b>Seal kit E NF /-V</b>	1		1270371
	3.1	O-ring (element)	1		97.8 x 5.33
	3.2	O-ring (cover plate)	1		189.87 x 5.33
	3.3	O-ring (tank seal)	1		240.67 x 5.33
4.*		<b>Contamination retainer</b>	1		01204141

Other spare parts on request!  
\*if present

- O-Ring durometer can range from 70-80Sh. EPR Seal Kits available on request.  
- Bowl assembly kits not available

# FILTER MAINTENANCE

3.5 NF 1310-2610...3.X

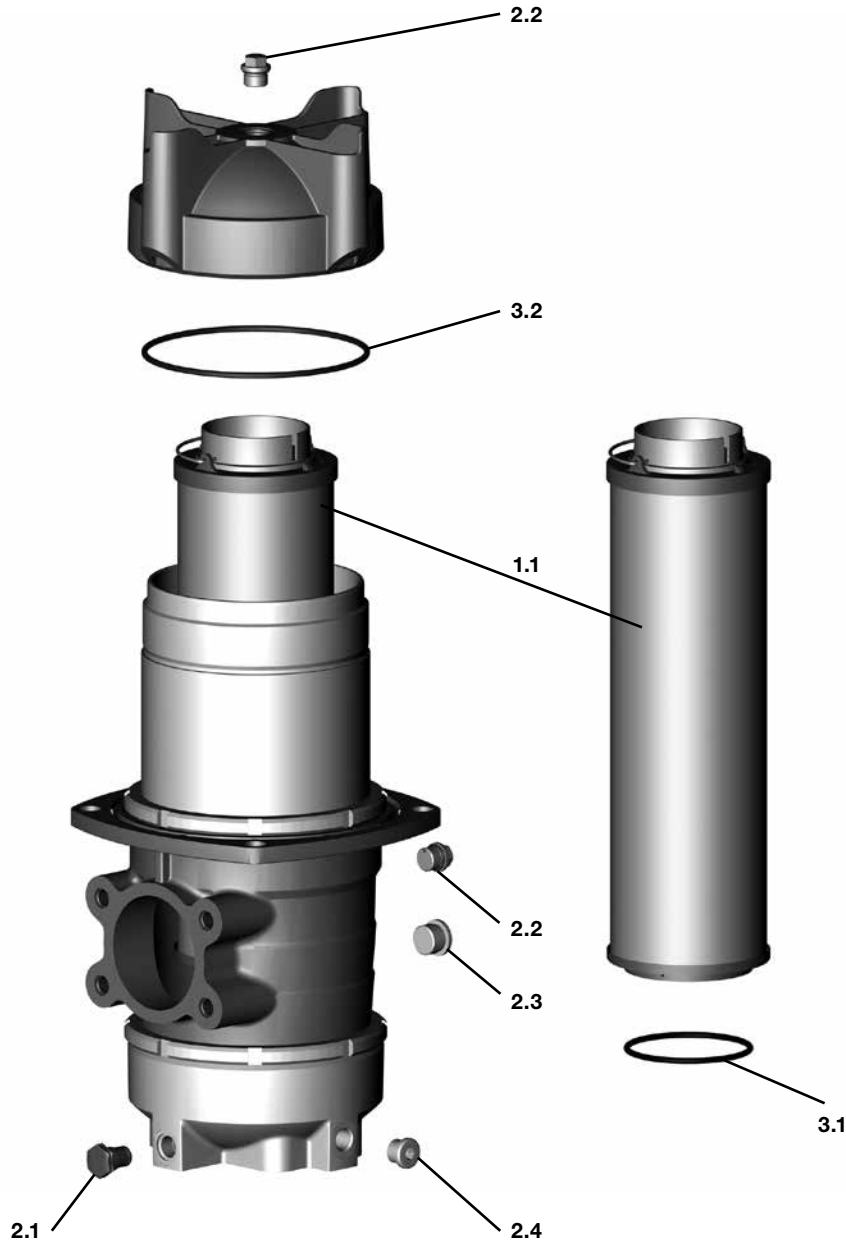


Item	Consists	Designation	Quantity	1310	2610
<b>1.</b>		<b>Filter element</b>		<b>See Point 4. Replacement elements</b>	
	1.1	Filter element	1	1300 R...	2600 R...
<b>2.</b>		<b>Clogging indicator or indicator plug</b>		<b>See Point 5. Replacement clogging indicator</b>	
	2.1	Indicator plug VD 0 A.0 VD 0 A.0 /-V	1		00305932 00305931
	2.2	Indicator plug VR 0 A.0 VR 0 A.0 /-V	2		00306006 00305928
	2.3	Screw plug VSTI G 3/4" NBR VSTI G 3/4" FPM	1		00607167 00613726
	2.4	Screw plug VSTI G 1/2" NBR VSTI G 1/2" FPM	1		00607166 00613168
<b>3.</b>		<b>Seal kit E NF Seal kit E NF /-V</b>	1 1		01270370 01270371
	3.1	O-ring (element)	1		97.8 x 5.33
	3.2	O-ring (cover plate)	1		189.87 x 5.33

Other spare parts on request!

- O-Ring durometer can range from 70-80Sh. EPR Seal Kits available on request.  
- Bowl assembly kits not available

## 3.6 NF 1310/2610...2.X

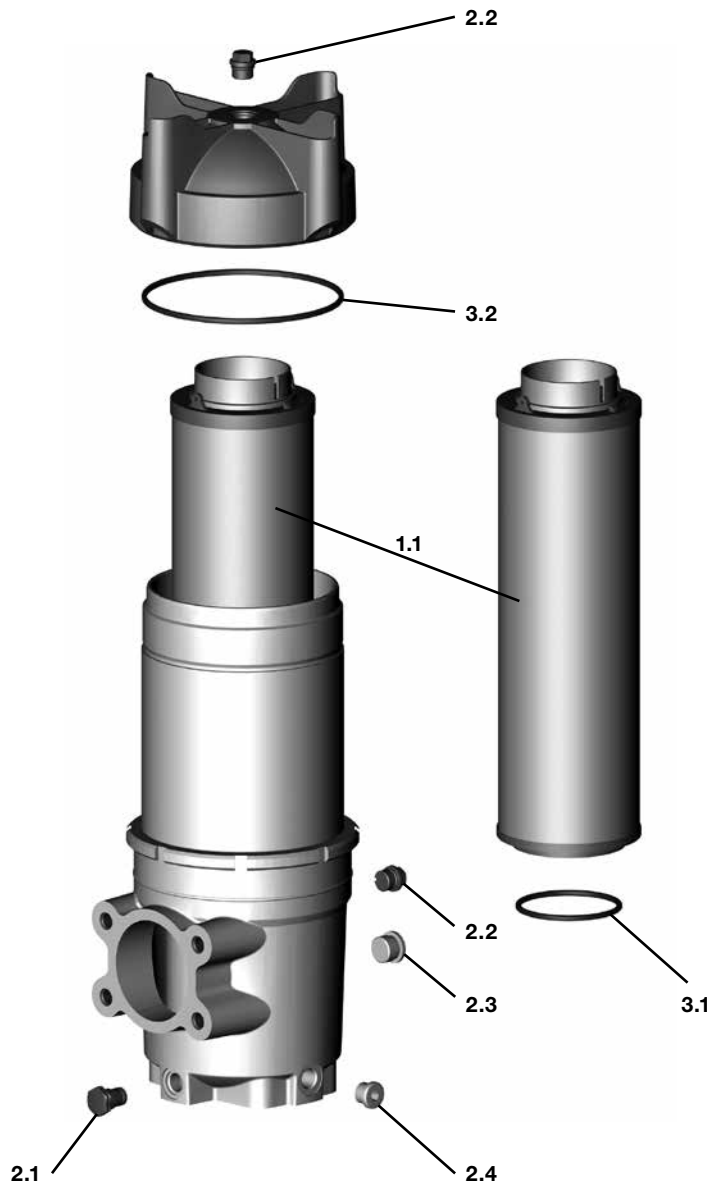


Item	Consists	Designation	Quantity	1310	2610
<b>1.</b>		<b>Filter element</b>		<b>See Point 4. Replacement elements</b>	
	1.1	Filter element	1	1300 R...	2600 R...
<b>2.</b>		<b>Clogging indicator or indicator plug</b>		<b>See Point 5. Replacement clogging indicator</b>	
	2.1	Indicator plug VD 0 A.1 VD 0 A.1 /-V	1	00305932 00305931	
	2.2	Indicator plug VR 0 A.0 VR 0 A.0 /-V	2	00306006 00305928	
	2.3	Screw plug VSTI G ¼" NBR VSTI G ¼" FPM	1	00607167 00613726	
	2.4	Screw plug VSTI G ½" NBR VSTI G ½" FPM	1	00607166 00613168	
<b>3.</b>		<b>Seal kit E NF</b>	1	01270370	
		<b>Seal kit E NF /-V</b>	1	01270371	
	3.1	O-ring (element)	1	97.8 x 5.33	
	3.2	O-ring (cover plate)	1	189.87 x 5.33	

Other spare parts on request! - O-Ring durometer can range from 70-80Sh. EPR Seal Kits available on request.  
- Bowl assembly kits not available

# FILTER MAINTENANCE

3.7 NF 1340/2640...2.X



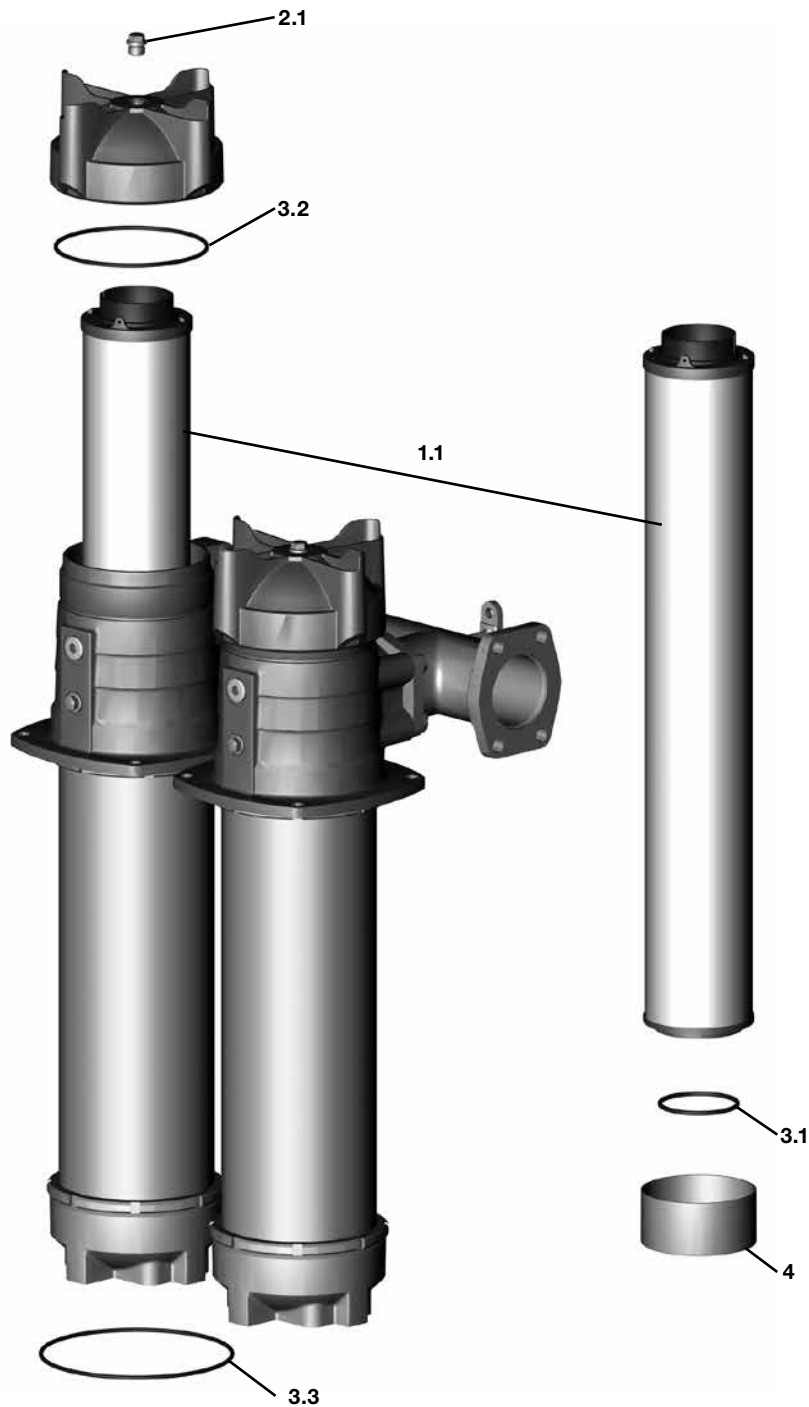
Item	Consists	Designation	Quantity	1340	2640
<b>1.</b>		<b>Filter element</b>		<b>See Point 4. Replacement elements</b>	
	1.1	Filter element	1	1300 R...	2600 R...
<b>2.</b>		<b>Clogging indicator or indicator plug</b>		<b>See Point 5. Replacement clogging indicator</b>	
	2.1	Indicator plug VD 0 A.1 VD 0 A.1 /-V	2		00305932 00305931
	2.2	Indicator plug VR 0 A.0 VR 0 A.0 /-V	2		00306006 00305928
	2.3	Screw plug VSTI G 3/4" NBR VSTI G 3/4" FPM	1		00607167 00613726
	2.4	Screw plug VSTI G 1/2" NBR VSTI G 1/2" FPM	2		00607166 00613168
<b>3.</b>		<b>Seal kit E NF</b>	1		01270370
		<b>Seal kit E NF /-V</b>	1		01270371
	3.1	O-ring (element)	1		97.8 x 5.33
	3.2	O-ring (cover plate)	1		189.87 x 5.33

Other spare parts on request!

- O-Ring durometer can range from 70-80Sh. EPR Seal Kits available on request.  
- Bowl assembly kits not available



## 3.8 NF 5210...1.X



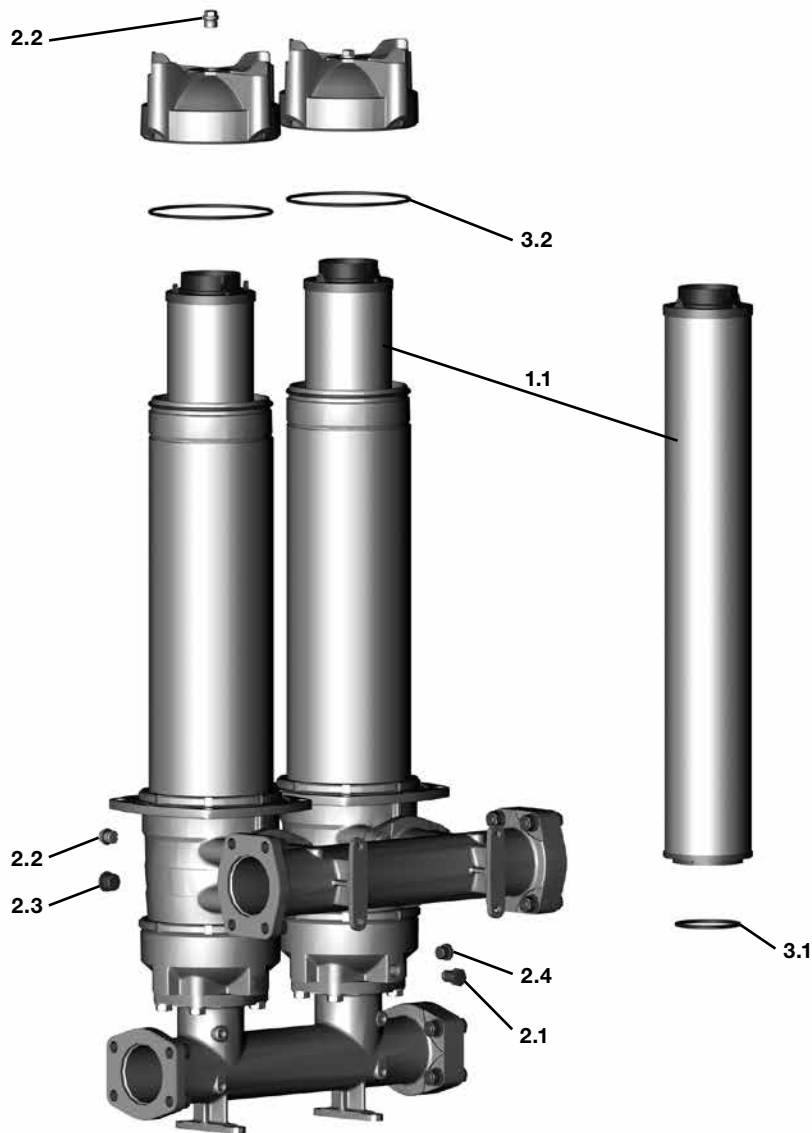
Item	Consists	Designation	Quantity	5210
<b>1.</b>		<b>Filter element</b>		<b>See Point 4. Replacement elements</b>
	1.1	Filter element	2	2600 R...
<b>2.</b>		<b>Clogging indicator or indicator plug</b>		<b>See Point 5. Replacement clogging indicator</b>
	2.1	Indicator plug VR 0 A.0 VR 0 A.0 /-V	2	00306006 00305928
<b>3.</b>		<b>Seal kit E NF</b>	2	1270370
		<b>Seal kit E NF /-V</b>	2	1270371
	3.1	O-ring (element)	2	97.8 x 5.33
	3.2	O-ring (cover plate)	2	189.87 x 5.33
	3.3	O-ring (tank seal)	2	240.67 x 5.33
<b>4.</b>		<b>Contamination retainer</b>	2	01204141

Other spare parts on request!

- O-Ring durometer can range from 70-80Sh. EPR Seal Kits available on request.  
- Bowl assembly kits not available

# FILTER MAINTENANCE

## 3.9 NF 5210/10410...2.X

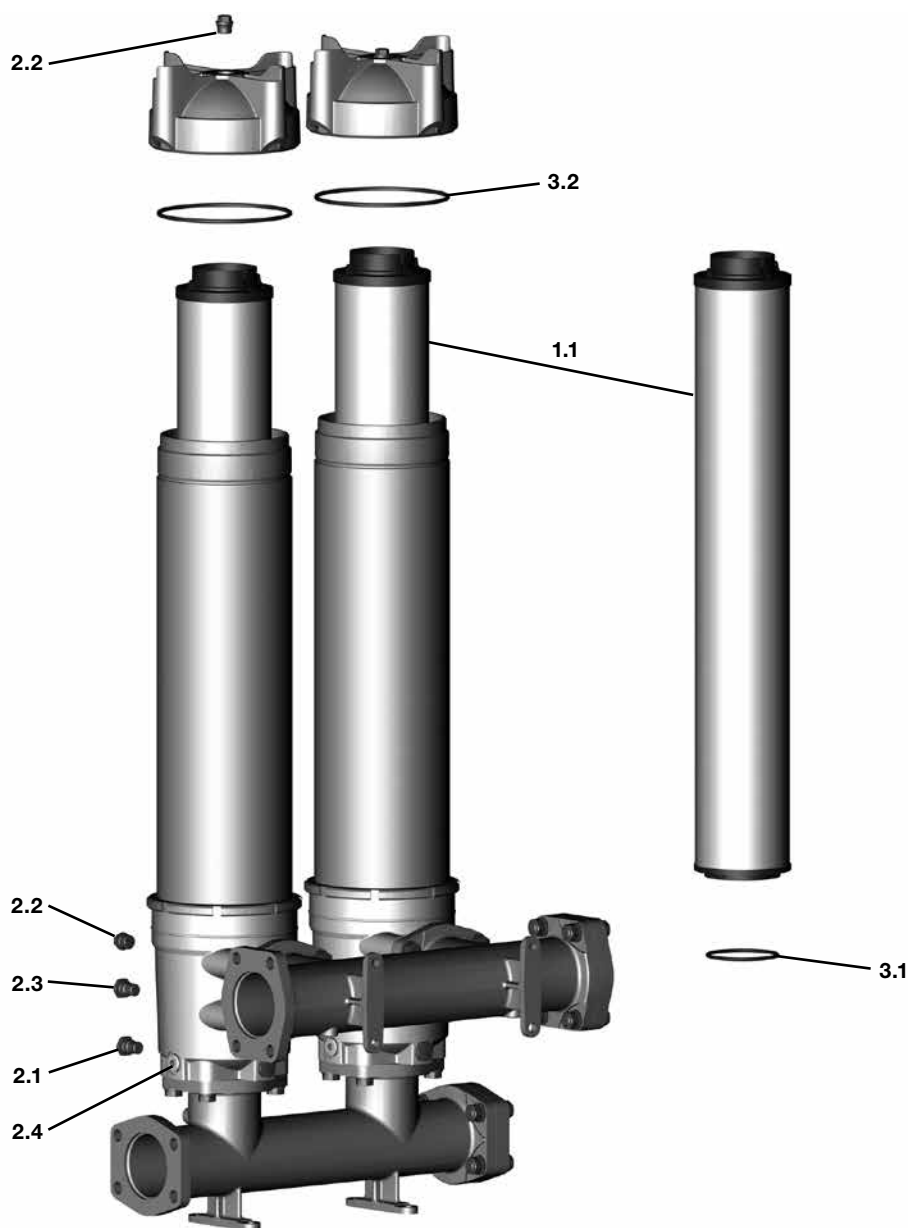


Item	Consists	Designation	Quantity	5210	7810	10410
<b>1.</b>		<b>Filter element</b>		<b>See Point 4. Replacement elements</b>		
	1.1	Filter element		2 x 2600 R...	3 x 2600 R...	4 x 2600 R...
<b>2.</b>		<b>Clogging indicator or indicator plug</b>		<b>See Point 5. Replacement clogging indicator</b>		
	2.1	Indicator plug VD 0 A.1 VD 0 A.1 /-V		2x 00305932 00305931	3x 00305932 00305931	4x 00305932 00305931
	2.2	Indicator plug VR 0 A.0 VR 0 A.0 /-V		4x 00306006 00305928	6x 00306006 00305928	8x 00306006 00305928
	2.3	Screw plug VSTI G 3/4" NBR VSTI G 3/4" FPM		2x 00607167 00613726	3x 00607167 00613726	4x 00607167 00613726
	2.4	Screw plug VSTI G 1/2" NBR VSTI G 1/2" FPM		2x 00607166 00613168	3x 00607166 00613168	4x 00607166 00613168
<b>3.</b>		<b>Seal kit E NF Seal kit E NF /-V</b>		2x 01270370 2x 01270371	3x 01270370 3x 01270371	4x 01270370 4x 01270371
	3.1	O-ring (element)		2x 97.8 x 5.33	3x 97.8 x 5.33	4x 97.8 x 5.33
	3.2	O-ring (cover plate)		2x 189.87 x 5.33	3x 189.87 x 5.33	4x 189.87 x 5.33

Other spare parts on request!

- O-Ring durometer can range from 70-80Sh. EPR Seal Kits available on request.  
- Bowl assembly kits not available

## 4.0 NF 5240/10440...2.X



Item	Consists	Designation	Quantity	5240	7840	10440
1.		Filter element		See Point 4. Replacement elements		
	1.1	Filter element		2 x 2600 R...	3 x 2600 R...	4 x 2600 R...
2.		Clogging indicator or indicator plug		See Point 5. Replacement clogging indicator		
	2.1	Indicator plug VD 0 A.1 VD 0 A.1 /-V		4x 00305932 00305931	6x 00305932 00305931	8x 00305932 00305931
	2.2	Indicator plug VR 0 A.0 VR 0 A.0 /-V		4x 00306006 00305928	6x 00306006 00305928	8x 00306006 00305928
	2.3	Screw plug VSTI G 3/4" NBR VSTI G 3/4" FPM		2x 00607167 00613726	3x 00607167 00613726	4x 00607167 00613726
	2.4	Screw plug VSTI G 1/2" NBR VSTI G 1/2" FPM		4x 00607166 00613168	6x 00607166 00613168	8x 00607166 00613168
3.		Seal kit E NF Seal kit E NF /-V		2x 01270370 2x 01270371	3x 01270370 3x 01270371	4x 01270370 4x 01270371
	3.1	O-ring (element)		2x 97.8 x 5.33	3x 97.8 x 5.33	4x 97.8 x 5.33
	3.2	O-ring (cover plate)		2x 189.87 x 5.33	3x 189.87 x 5.33	4x 189.87 x 5.33

Other spare parts on request! - O-Ring durometer can range from 70-80Sh. EPR Seal Kits available on request.  
- Bowl assembly kits not available

# FILTER MAINTENANCE

## 5. Replacement Element Model Code

**Size** \_\_\_\_\_ **1300 R 003 ON /** \_\_\_\_\_  
1300 - for housings: 1310, 1350  
2600 - for housings: 2610, 2650, 5210, 7810, 10410

**Filtration Rating (micron)** \_\_\_\_\_  
1, 3, 5, 10, 15, 20 = ON    3, 10 = BN4AM  
3, 5, 10, 20 = ECON2    40 = AM    (others available, consult HYDAC)

**Element Media** \_\_\_\_\_  
ON, BN4AM, ECON2, AM

**Seals** \_\_\_\_\_  
(omit) = standard - Nitrile rubber (NBR) (standard)  
V = Fluorocarbon elastomer (FKM)  
EPR = Ethylene propylene rubber (EPR)

**Bypass Valve** \_\_\_\_\_  
(omit) = 43 psid (3 bar) (standard)    B1 = 14.5 psid (1 bar)  
B6 = 87 psid (6 bar)    KB = no bypass

**Supplementary Details** \_\_\_\_\_  
SO263 = Modification of Elements For Skydrol or HYJET phosphate ester fluids  
SFREE = Element specially designed to minimize electrostatic charge generation

## 6. Clogging Indicator Model Code

**Indicator Prefix** \_\_\_\_\_ **VM 5 BM . X /** \_\_\_\_\_  
VR = Return line (static), NF Series 1.0 version  
VM = ΔP, G 1/2" 3000 psi, NF Series version 2.0, NF UHE, NFD UHE, NF MMP  
VD = ΔP G 1/2" 6000 psi  
(2.0 ver. - LE Indicators only)

**Trip Pressure** \_\_\_\_\_  
2 = 29 psid (2 bar) (standard)  
5 = 72 psid (5 bar) (optional)

**Type of Indicator** \_\_\_\_\_  
A = No indicator, plugged port  
BM = Pop-up indicator (manual reset)  
C = Electric switch - SPDT  
D = Electric switch and LED light - SPDT  
LE = Electric switch and pop-up

**Modification Number** \_\_\_\_\_

**Supplementary Details** \_\_\_\_\_

**Seals** \_\_\_\_\_  
(omit) = Nitrile rubber (NBR) (standard)  
V = Fluorocarbon elastomer (FKM)  
EPR = Ethylene propylene rubber (EPR)

**Light Voltage (D type indicators only)** \_\_\_\_\_  
L24 = 24V    L48 = 48V    L110 = 110V    L220 = 220V

**Thermal Lockout (VM type C, D, J, J4 only)** \_\_\_\_\_  
T100 = Lockout below 100°F

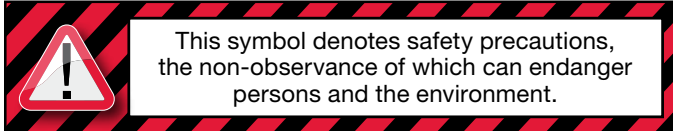
**Underwriter's Recognition (VM type C, D, J, J4 only)** \_\_\_\_\_  
cRUus = Electrical indicator with underwriter's recognition  
(For additional details and options, see Section G - Clogging Indicators.)

## 6. Maintenance Instructions

### 6.1 User Instructions for Filters



- This pressure equipment must only be put into operation in conjunction with a machine or system.
- The pressure equipment must only be used as stipulated in the operating instructions of the machine or system.
- This pressure equipment must only be operated using hydraulic or lubricating fluid.
- It is the responsibility of the operator to comply with the water regulations of the country concerned.



#### CAUTION

- The user must take appropriate action (e.g. venting) to prevent the formation of air pockets.
- Repairs, maintenance work and commissioning must only be carried out by trained personnel.
- Allow the pressure equipment to cool before handling.
- The stipulations of the operating instructions of the machine or the system must be followed.
- Statutory accident prevention regulations, safety regulations and safety data sheets for fluids must be observed.
- Filter housing must be grounded.
- When working on, or in the vicinity of, hydraulic systems, open flames, sparks and smoking are forbidden.
- Hydraulic oils and water-polluting fluids must not be allowed to enter the soil or watercourses or sewer systems. Please ensure safe and environmentally friendly disposal of hydraulic oils. The relevant regulations in the country concerned with regard to ground water pollution, used oil and waste must be complied with.
- Whenever work is carried out on the filter, be prepared for hot oil to escape which can cause injury or scalding as a result of its high pressure or temperature.

#### DANGER!

- Caution: pressure equipment! Before any work is carried out on the pressure equipment, ensure the pressure chamber concerned (filter housing) is depressurized.
- On no account must any modifications (welding, drilling, opening by force...) be carried out on the pressure equipment.
- When using electrical clogging indicators, the electrical power supply to the system must be switched off before removing the clogging indicator connector.

### 6.2 Maintenance, General

This section describes maintenance work which must be carried out periodically. The operational safety and life expectancy of the filter, and whether it is ready for use, depend to a large extent on regular and careful maintenance.

### 6.3 Maintenance Measures

- Spare parts must fulfil the technical requirements specified by the manufacturer.  
This is always ensured when using original HYDAC spare parts.
- Keep tools, working area and equipment clean.
- After disassembling the filter, clean all parts, check for damage or wear and replace parts if necessary.
- When changing a filter element, a high level of cleanliness must be observed.

### 6.4 Interval Between Element Changes

In principle we recommend that the filter element is changed every 6 months or upon indication, whichever occurs first.

We recommend installing the filter with a clogging indicator (visual and/or electrical or electronic) to monitor the filter element.

If the clogging indicator responds, it is necessary to change or clean the filter element without delay (only W and V elements can be cleaned).

When no clogging indicator has been installed, we recommend changing the elements at specific intervals. (*The frequency of changing the filter elements depends on the filter design and the conditions under which the filter is operated*). When filter elements are subject to high dynamic loading it may prove necessary to change them more frequently. The same applies when the hydraulic system is commissioned, repaired or when the oil is changed

The standard clogging indicators only respond when fluid is flowing through the filter. With electrical indicators the signal can also be converted into a continuous display on the control panel. In this case the continuous display must be switched off during a cold start or after changing the element.

If the clogging indicator responds during a cold start only, it is possible that the element does not yet need to be changed.

#### Customer Information in respect of Machinery Directive 2006/42/EC

Hydraulic filters are defined as fluid power parts / components and are therefore excluded from the scope of the Machinery Directive, sections 1.4.1 - 1.4.3. They do not bear the CE mark.

Before using these components, ensure compliance with the specifications provided by HYDAC Technology Corporation. The specifications also contain information on the relevant essential health and safety requirements (based on Machinery Directive 2006/42/EC).

We hereby declare that the filters are intended to be incorporated into machinery within the terms of the Directive 2006/42/EC. It is prohibited to put the filters into service until the machinery as a whole is in conformity with the provisions of the Machinery Directive.

#### Service address

##### HYDAC Technology Corporation Filter Division

2260 City Line Road  
Bethlehem, PA 18017  
+1.610.266.0100

#### NOTE

The information in this brochure relates to the operating conditions and applications described.

For applications or operating conditions not described, please contact the relevant technical department.

Subject to technical modifications.

Global Headquarters  
HYDAC INTERNATIONAL  
GMBH

Industriegebiet  
D – 66280 Sulzbach/Saar  
Germany

Tel.: +49 6897 509-01

Fax: +49 6897 509-577

Internet: [www.hydac.com](http://www.hydac.com)  
Email: [info@hydac.com](mailto:info@hydac.com)

## North America Locations

### USA

[www.HYDAC-NA.com](http://www.HYDAC-NA.com)

#### North America Headquarters HYDAC TECHNOLOGY CORPORATION Filter Division

2260 City Line Road  
Bethlehem, PA 18017  
**+1.610.266.0100**

#### HYDAC TECHNOLOGY CORPORATION Electronic Division Process Filter Division

HYDAC CORPORATION  
Accumulator Division  
90 Southland Drive  
Bethlehem, PA 18017  
**+1.610.266.0100**

HYDAC TECHNOLOGY CORPORATION  
Accessory Division  
2204 Avenue C  
Bethlehem, PA 18017  
**+1.610.266.0100**

#### HYDAC TECHNOLOGY CORPORATION Filter System Division Process Filter Division Fuel Filtration Division

580 West Park Road  
Leetsdale, PA 15056  
**+1.724.318.1100**

#### HYDAC TECHNOLOGY CORPORATION Hydraulic Division – Compact Hydraulics

450 / 445 Windy Point Drive  
Glendale Heights, IL 60139  
**+1.630.545.0800**

HYDAC TECHNOLOGY CORPORATION  
Hydraulic Division – Tech Center  
430 Windy Point Drive  
Glendale Heights, IL 60139  
**+1.630.545.0800**

#### HYDAC TECHNOLOGY CORPORATION Cooling System Division

1051 Airlie Parkway  
Denver, NC 28037  
**+1.610.266.0100**

#### HYDAC TECHNOLOGY CORPORATION Mobile Hydraulic Division

1660 Enterprise Parkway • Suite E  
Wooster, OH 44691  
**+1.610.266.0100**

HYDAC CYLINDERS LLC  
540 Carson Road North  
Birmingham, AL 35217  
**+1.205.520.1220**

#### HYDAC TECHNOLOGY CORPORATION HYDAC CORPORATION Sales Office & Operations

510 Stonegate Drive  
Katy, TX 77494  
**+1.281.579.8100**

#### HYDAC TECHNOLOGY CORPORATION HYDAC CORPORATION NW Sales Office & Operations

1201 NE 144th St. Bldg. B • Suite 111  
Vancouver, WA 98685  
**+1.610.266.0100**

HYDAC TECHNOLOGY CORPORATION  
HYDAC CORPORATION  
NE Sales Office  
1660 Enterprise Parkway • Suite E  
Wooster, OH 44691  
**+1.610.266.0100**

#### HYDAC TECHNOLOGY CORPORATION HYDAC CORPORATION SE Sales Office

1051 Airlie Parkway  
Denver, NC 28037  
**+1.610.266.0100**

#### HYDAC TECHNOLOGY CORPORATION HYDAC CORPORATION NC Sales Office

9415 West Forest Home Ave. • Suite 200  
Hales Corners, WI 53130  
**+1.610.266.0100**

### Canada

[www.HYDAC-NA.com](http://www.HYDAC-NA.com)

HYDAC CORPORATION  
14 Federal Road  
Welland, Ontario, Canada L3B 3P2  
**+1.905.714.9322**

HYDAC CORPORATION  
Sales Office  
5160 75 Street NW  
Edmonton, Alberta, Canada T6E 6W2  
**+1.780.484.4228**

HYDAC CORPORATION  
Sales Office  
Montreal, Québec, Canada J2M 1K9  
**+1.877.539.3388**

### Mexico

[www.HYDACmex.com](http://www.HYDACmex.com)

HYDAC INTERNATIONAL SA de CV  
Calle Alfredo A Nobel No 35  
Col Puente de Vigas  
Tlalnepantla, Edo Mexico  
CP 54090  
Mexico  
**+011.52.55.4777.1262**