

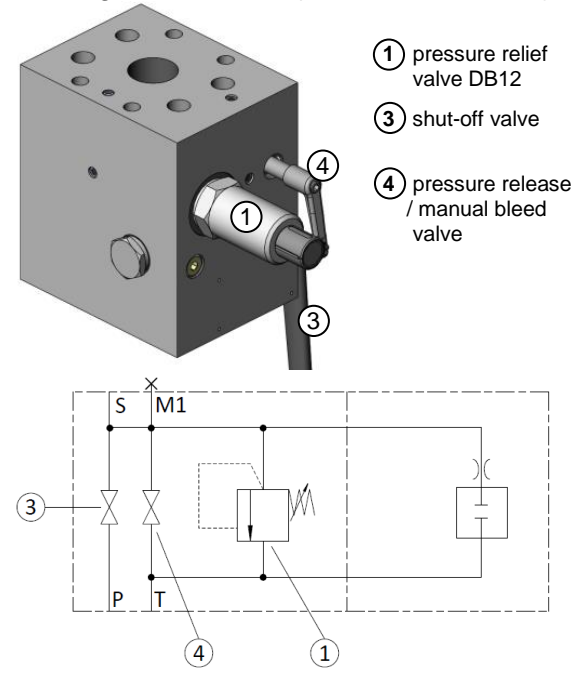
Supplementary document to  
*Operating Instructions for Safety and Shut-off Block*  
(HYDAC INT 3.551.BA0)

**Only valid** for modified Safety and Shut-off Block according to  
Document: *Guideline on claim SAF32E16F*  
Doc. No.: PDI 10000773383, Rev. A

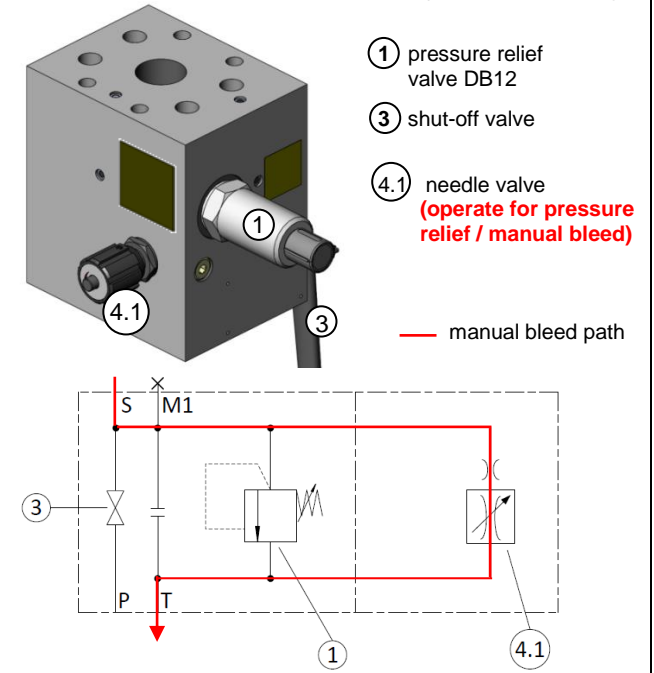


**1. Deviation in manual bleed operation for type SAF32M16...E/F**

**1.1 Original condition (non-affected block)**

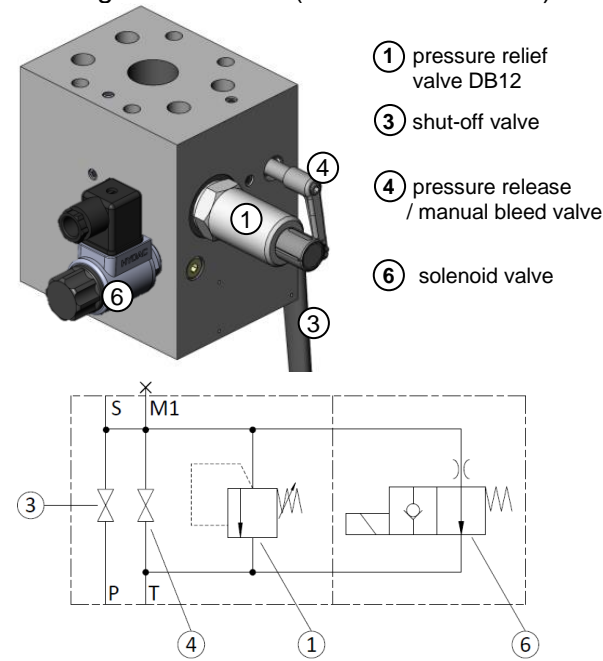


**1.2 Modification acc. Guideline (affected block)**



**2. Deviation in manual bleed operation for type SAF32E16Y...E/F**

**2.1 Original condition (non-affected block)**



**2.2 Modification acc. Guideline (affected block)**

